

# HOVER E GLIDE

## Electric Monitor Arm

The **Hover E Glide** is an electric monitor lift that provides quick height and depth adjustment. The lifting column features a 140 lb. lifting capacity\* making it easily support up to 8 monitors.

It also includes Bluetooth™ technology and can be controlled using the NewHeights™ mobile app and voice command. Within the app, users can program custom height settings. Those personalized settings automatically sync to the Hover E Glide, making it ideal for multi-user workstations.

The Hover E Glide is a great ergonomic monitor arm solution for healthcare Radiology (PACS) patient monitoring, security stations, stock trading desks, and anywhere multi-monitor applications are used.

Do you require a higher lifting capacity? Speak with Customer Service to get started on a custom unit.



### Monitor Mounting Features

- Monitor Mounting Bracket, with Quick-Connect, contains 75mm and 100mm hole patterns to comply with VESA standards
- Customizable utilizing arm monitor extensions



**FREE FREIGHT** on all  
**RightAngle ergonomics**



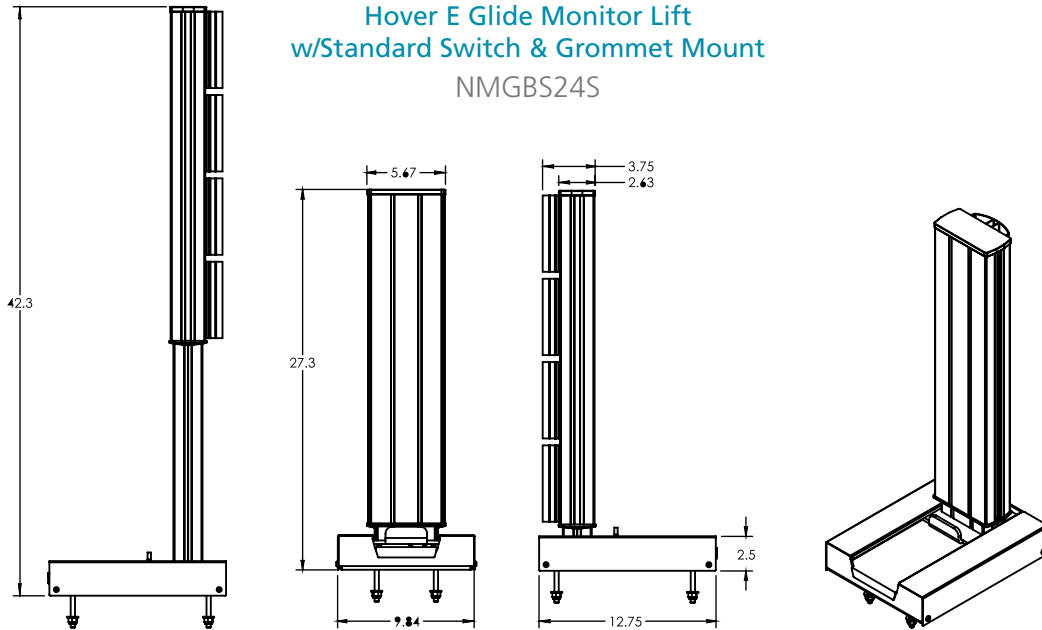
### Lifting Column Features

- 15" electric vertical travel range
- 7" depth adjustment range
- Lifting capacity: 140 lbs. (lifting column only)\*
- Grommet mount; fits desks worksurfaces up to 2" thick
- Standard 2 button switch included (4 button programmable switch avail. as upgrade)
- Holds up to 2 rails
- AC 110-120V 50-60 Hz Power Supply
- Includes Wire Management Channels *(not pictured)*
- Incl. Bluetooth™ technology to connect with the NewHeights™ mobile app.

### Rail Features

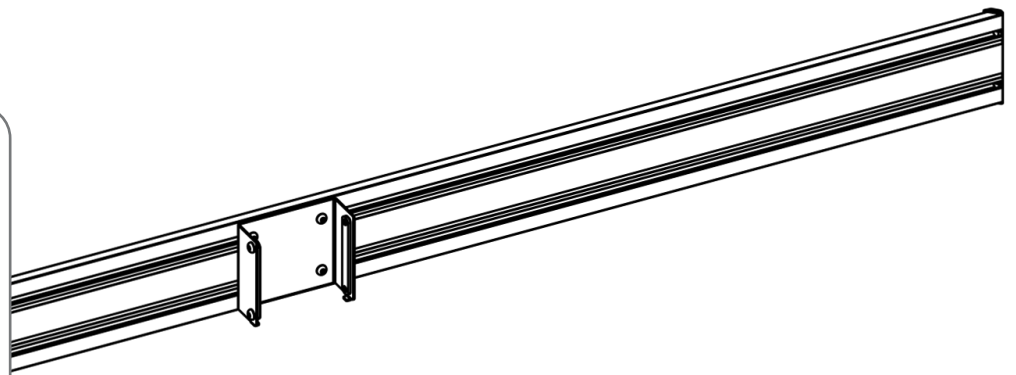
- Rail widths are available in: 23", 35", 47", 59", 71", and 83"
- Includes mounting bracket *(to attach to lifting column)*
- Holds up to four 24" monitors per rail
- Includes Wire Management Channels *(not pictured)*

Hover E Glide Monitor Lift  
w/Standard Switch & Grommet Mount  
NMGBS24S

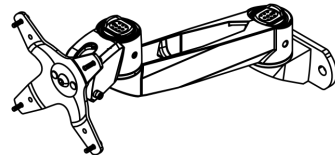


Rail with Bracket

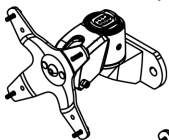
Size	Weight	Part #
23"	3 lbs.	NMLR24S
35"	5 lbs.	NMLR36S
47"	6 lbs.	NMLR48S
59"	8 lbs.	NMLR60S
71"	10 lbs.	NMLR72S
83"	11 lbs.	NMLR84S



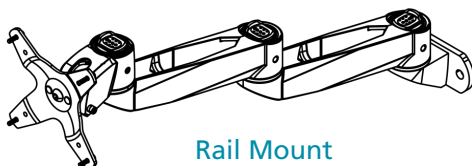
Rail Mount  
for 1 Monitor  
with 1 Extension  
HS4110



Rail Mount  
for 1 Monitor  
with 0 Extensions  
HS4100

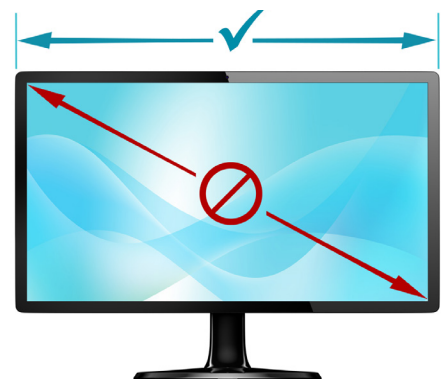


Rail Mount  
for 1 Monitor  
with 2 Extensions  
HS4120



How to Measure Your Monitor Size  
for RightAngle™ Monitor Arms

Measure the **full width** of each monitor  
you'd like to mount (in inches).



Measure from **OUTSIDE EDGE to OUTSIDE EDGE**.  
*Do NOT measure diagonally.*