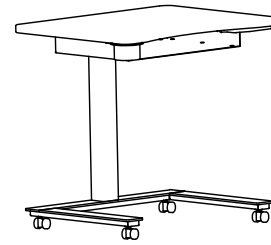
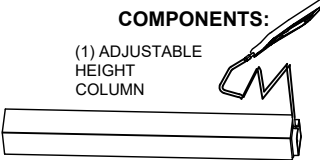















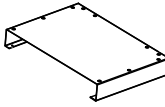
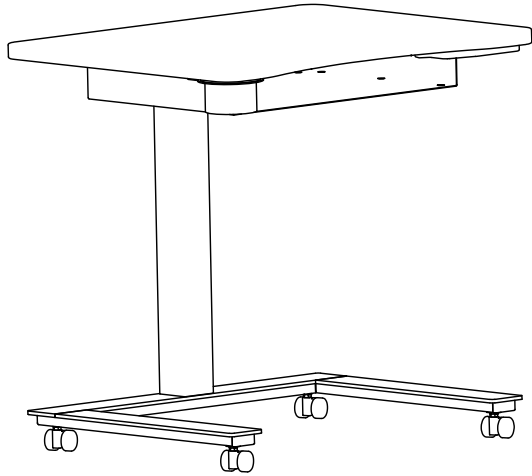
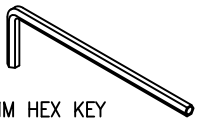
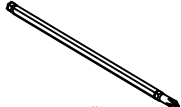
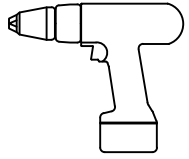
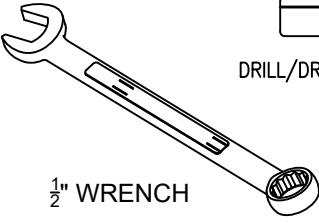


Versteel

Thank you for your purchase. We hope you have many great years of use from Darby and all our products. If you have any questions which are not covered by these instructions, please contact customer service at 800.827.2120 or customerservice@versteel.com



DOCUMENT CONTAINS 6 PAGES	ASSEMBLY INSTRUCTIONS: DARBY COMPONENT ASSEMBLY	
<p>COMPONENTS:</p> <p>(1) ADJUSTABLE HEIGHT COLUMN</p>  <p>(4) M8 X 1.25MM X 45MM FLAT HEAD SCREWS</p>  <p>(1) TOP PLATE</p>  <p>(21) #10 X $\frac{7}{8}$" PARTICLE BD SCREWS</p>  <p>(3) CABLE CLAMPS</p>  <p>(4) #8 X $\frac{3}{4}$" PARTICLE BD SCREWS</p>  <p>(1) METAL CUP HOLDER RING</p>  <p>(1) BUSHING .562" OUTER DIAMETER</p>  <p>(1) BUSHING .3125" OUTER DIAMETER</p>  <p>(1) TOP PANEL</p>  <p>(4) M8 X 1.25MM X 25MM BUTON HEAD SCREWS</p>  <p>(1) CUP HOLDER</p>  <p>(4) $\frac{5}{16}$" LOCK WASHERS</p>  <p>(1) BASE RAIL ASS'Y</p>  <p>(2) NON LOCKING CASTERS</p>  <p>(2) LOCKING CASTERS</p>  <p>(1) BOOK SHELF</p> 		
<p>TOOLS REQUIRED:</p> <ol style="list-style-type: none"> 1 5MM HEX KEY 2 DRILL/DRIVER 3 AT LEAST 4" LONG PHILLIPS HEAD DRIVER BIT. (MUST BE LESS THAN $\frac{1}{2}$" DIA.) 4 $\frac{1}{2}$" WRENCH 	 <p>5MM HEX KEY</p>  <p>AT LEAST 4" LONG PHILLIPS HEAD DRIVER BIT MUST BE LESS THAN $\frac{1}{2}$" DIA.</p>  <p>DRILL/DRIVER</p>  <p>$\frac{1}{2}$" WRENCH</p>	

VERSTEEL

270.INS.DAR
 10/13/21
 REV 3/16/22 (ADDED 3RD CABLE CLIP) – EC02022-008

2332 Cathy Lane
 Jasper Indiana 47546
 800 876 2120
 Versteel.com

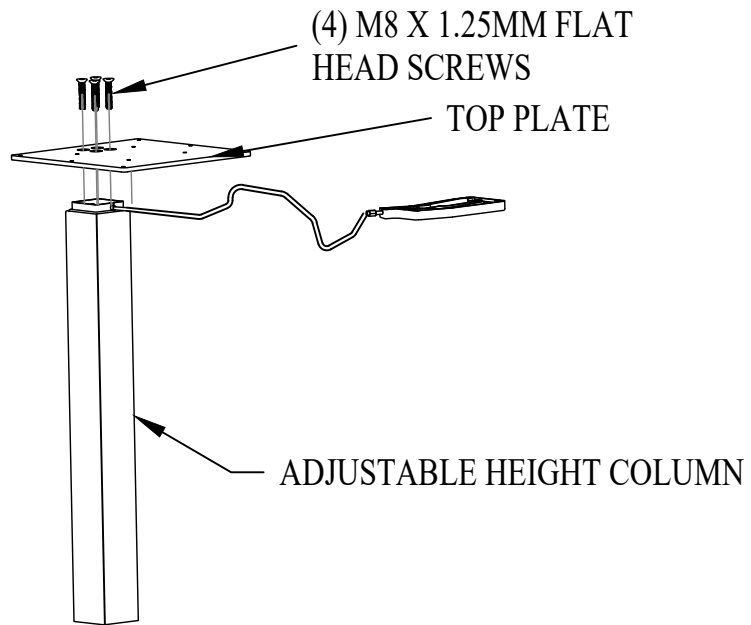
REV 1/28/22 (CHANGE APPROACH CASTER TO NON-LOCKING)

STEP ONE

ATTACH TOP PLATE TO COLUMN USING (4) M8 X 1.25MM FLAT HEAD SCREWS USING 5MM HEX KEY.

NOTE:

MAKE SURE TO ORIENT THE TOP PLATE SO THE COUNTERSINKS ARE FACING UP, AND THE TOP PLATE OVERHANGS MORE ON THE SIDE OF ADJUSTABLE HEIGHT COLUMN WHERE THE CABLE COMES OUT.

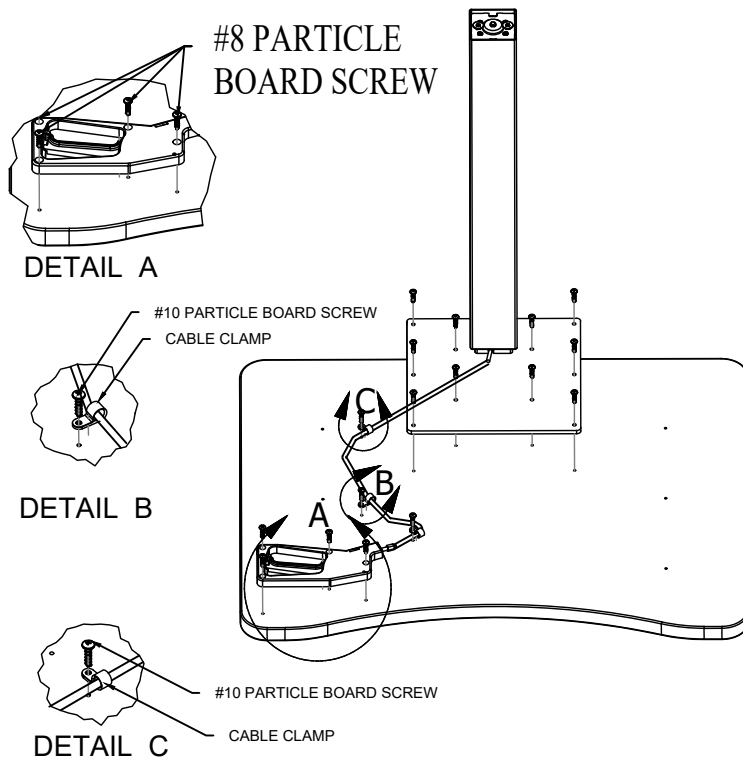


STEP TWO

- WITH THE TOP FACE DOWN ON A PROTECTED SURFACE, ALIGN PREVIOUSLY ASSEMBLED COLUMN/TOP PLATE ASSEMBLY WITH PRE-DRILLS ON THE TOP. FASTEN THE ASSEMBLY DOWN USING #10 X 7/8" PARTICLE BOARD SCREWS

- PER DETAIL A ALIGN HEIGHT ADJUSTMENT HANDLE WITH PRE-DRILLS AND FASTEN WITH #8 X 3/4" PARTICLE BOARD SCREWS

- PER DETAILS B & C INSTALL CABLE CLAMPS BY WRAPPING THEM AROUND THE CABLE AND FASTENING DOWN TO PRE-DRILLS IN TOP USING #10 X 7/8" PARTICLE BOARD SCREWS

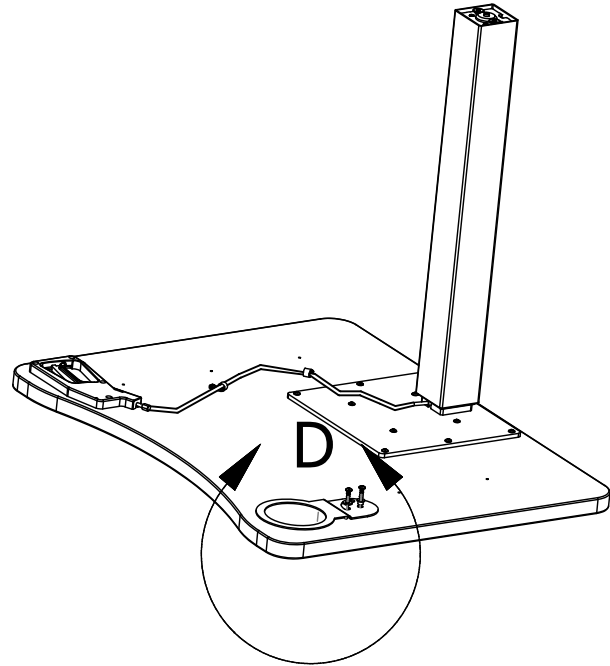




STEP THREE

-INSTALL METAL CUP HOLDER RING BY INSTALLING A #10 $\times\frac{7}{8}$ PARTICLE BOARD SCREW THROUGH THE (.562 O.D.) BUSHING THROUGH THE SLOT OF THE RING INTO THE PREDRILL $6\frac{1}{8}$ " OFF THE USER SIDE.

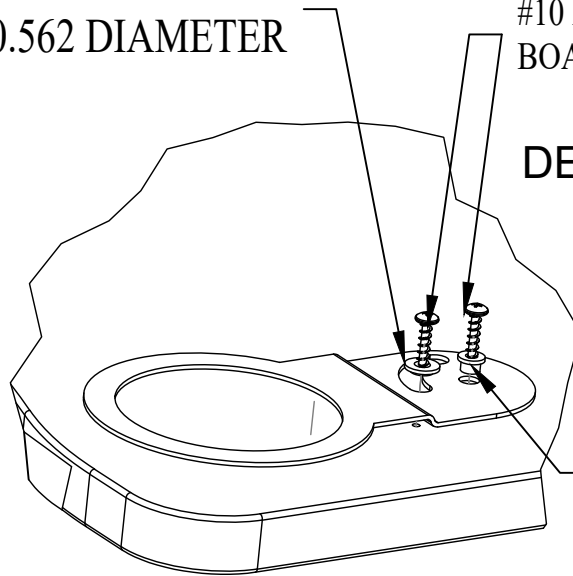
- THEN INSTALL ANOTHER #10 SCREW THROUGH THE BUSHING (.3125 O.D.) THROUGH THE SMALL HOLE IN THE RING INTO THE PRE-DRILL $7\frac{1}{16}$ " OFF THE USER SIDE.



BUSHING
0.562 DIAMETER

#10 PARTICLE BOARD SCREW

DETAIL D



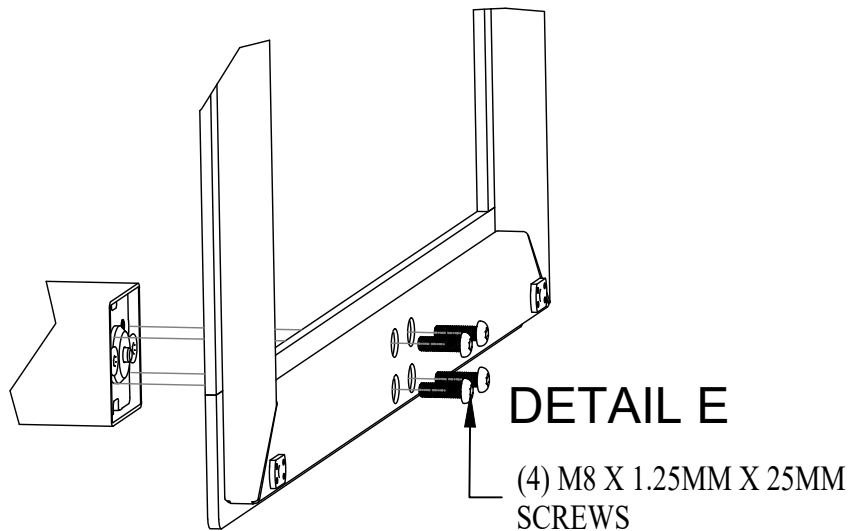
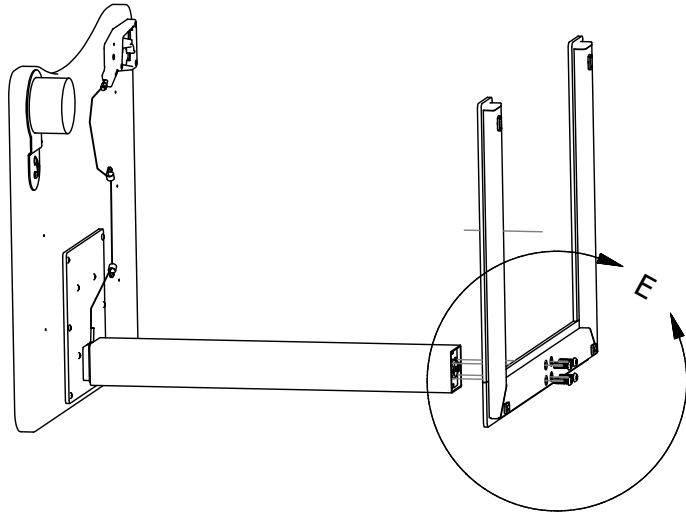
BUSHING
.3125
BUSHING



STEP FOUR

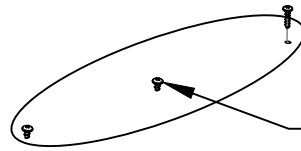
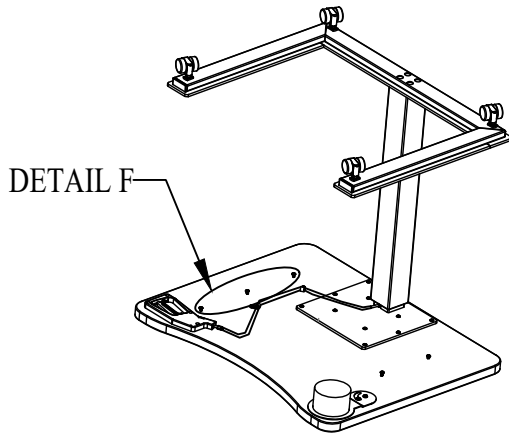
-WITH THE TOP STILL ON A PROTECTED SURFACE TIP THE TOP AND COLUMN ON IT'S SIDE AS SHOWN. ALIGN THE 4 HOLES IN THE BASE RAIL ASSEMBLY WITH THE TAPPED HOLES IN THE UPRIGHT. FASTEN THE BASE RAIL TO THE COLUMN WITH (4) M8 X 1.25MM X 25MM BUTTON HEAD SCREWS. INSTALL (4) SCREWS LOOSELY THEN COME BACK AND TIGHTEN DOWN ONCE ALL 4 ARE INSTALLED.

NOTE: THIS STEP MAY BE MADE EASIER WITH THE HELP OF A PARTNER TO HELP SUPPORT THE BASE RAIL ASSEMBLY WHILE INSTALLING.



STEP FIVE

-WITH THE TOP STILL ON A PROTECTED SURFACE TIP THE TOP SURFACE BACK ONTO THE FLOOR. PARTIALLY INSTALL THE (6) #10 PARTICLE BOARD SCREWS FOR THE SHELF LEAVING THEM ABOUT 1/4" FROM TIGHT AGAINST THE TABLE.



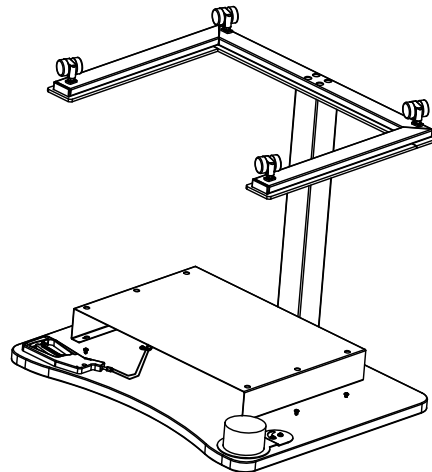
LEAVE #10 PARTICLE BOARD SCREWS 1/4" FROM TIGHT

DETAIL F

STEP SIX

ALIGN THE LARGE PORTION OF THE KEYHOLES IN THE SHELF UP WITH THE PARTIALLY INSTALLED SCREWS. ONCE THE SHELF IS SITTING ON THE BOTTOM OF THE WORK SURFACE SLIDE THE SHELF UNTIL THE SCREW HITS THE SMALL PORTION OF THE KEYHOLE THEN TIGHTEN ALL (6) OF SCREWS THE REST OF THE WAY.

NOTE: MAKE SURE THE CABLE IS NOT INTERFERING WITH THE SHELF WHEN FASTENING THE SHELF.

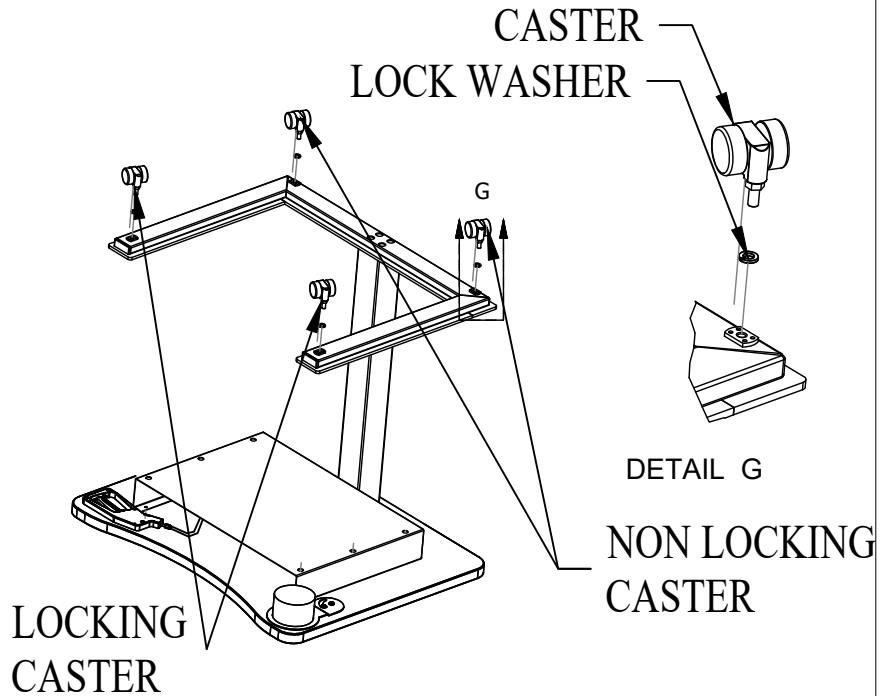




STEP SEVEN

- INSTALL (4) LOCK WASHERS AND CASTERS USING A $\frac{1}{2}$ " WRENCH

NOTE: USE LOCKING CASTERS ON USER SIDE. USE NON-LOCKING CASTERS ON APPROACH SIDE



STEP EIGHT

-FLIP UNIT RIGHT SIDE UP ONTO IT'S CASTERS. SWING THE METAL CUP HOLDER RING OUT. DROP THE PLASTIC CUP HOLDER INTO PLACE.

-INSTALLATION COMPLETE

