



CO-OP

designed by qdesign

PRICE LIST UPDATES

PAGE	DESCRIPTION
32-35	Corrected Model Numbers for Units with Integrated Tables
Various	Accent Tier Ordering Specifications Modified to Reflect Interior and Exterior Locations
Various	Notation Added Regarding Limitations for Canopy Upholstery
20-23	Added Table Length for Suspended Table Options
Various	Added Reference Photos as Available

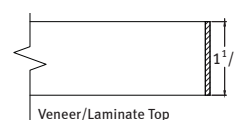


CO-OP

designed by qdesign

**GENERAL PRODUCT FEATURES:**

- Excluding the back and seat cushions, fabric upholstery will always be railroaded.
- All models standard with 2" high black plinth base only.
- Tables, accent tier and shelf available in Maple, Walnut and White Oak wood species.
- All standard and custom wood finishes available.
- For custom wood finishes (to tables, accent tier and/or shelf), please add one-time upcharge of \$270 List per color per order.
- Laminate available in all Arcadia standard laminates.
- Custom laminates available, contact Customer Service for pricing.
- Unless specified, wood grain direction will run horizontally on accent tier and lengthwise on all tables.
- Table bases and shelf support posts available in standard and premium metal finishes.
- For premium metal finishes, please refer to applicable sections for upcharge amounts.
- When specifying electrical or overhead LED light fixture, cord exit grommet placement must be specified as well as power source location, as applicable. Refer to power units on page 6 for placement specifications.
- **All units must be either floor mounted (hardware provided) or weighted with sandbags (50 lbs. per side for lounge models and 150 lbs. each side for love seat units).**
- **DISCLAIMER: ARCADIA CANNOT BE HELD RESPONSIBLE IF FLOOR MOUNTING OR WEIGHTS ARE NOT UTILIZED FOR INSTALLATION.**
- Please refer to pages 32-40 for multi-tone yardage requirements and applicable pricing.
- Field-assembly required for all seating models with canopy, units with integrated tables and wall-mount panels, as well as linking tables, cantilever tables and shelf.
- Mounting hardware provided for linking tables, cantilever tables and shelf.
- Linking tables, cantilever tables and shelf cannot be retro-fit to seating units previously ordered. Please include layout to ensure units are mounted to the appropriate side of seating models.

**INTEGRATED TABLE, FREE-STANDING TABLE, CANTILEVER TABLE AND SHELF EDGE DETAIL:**

- Table/shelf with veneer top, wood edge finish will match top finish color, unless otherwise specified.
- Table/shelf with Arcadia standard laminate top, self edge is standard, unless otherwise specified (laminate applied to edge).

**STANDARD FINISH COLORS (FOR TABLE SUPPORT POST, SHELF POST AND FREE-STANDING TABLE BASE):**

#82 Graphite	#91 Chrome
#83 Metallic Champagne	#95 Satin Black
#90 Metallic Silver	

**PREMIUM FINISH COLORS (FOR TABLE SUPPORT POST, SHELF POST AND FREE-STANDING TABLE BASE):**

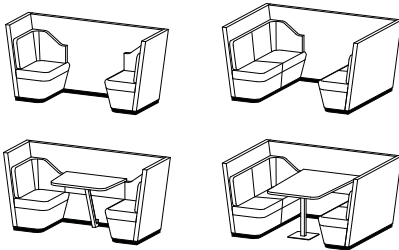
#77 Sunshine	#89 Granny Smith
#80 Clementine	#94 Cotton
#87 Poppy	#98 Pacific
#88 Pink Flamingo	#99 Glossy Black

# CO-OP

designed by qdesign

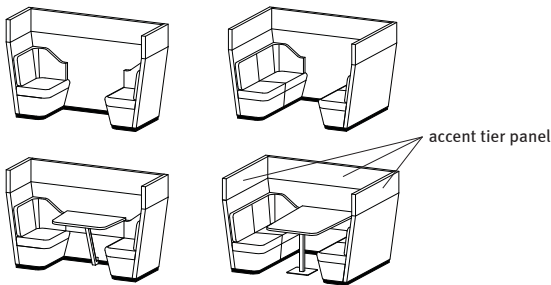


## PUBLIC FREE-STANDING UNIT PRODUCT FEATURES:



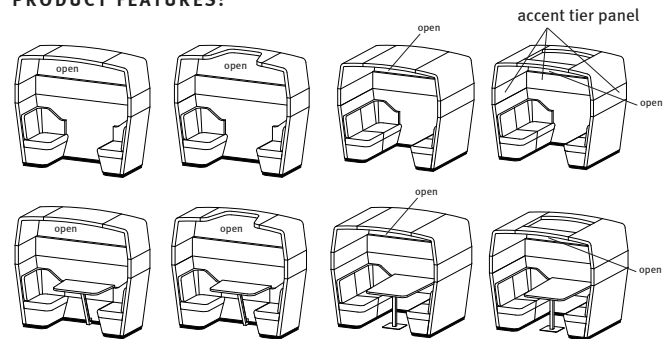
- Lounge and love seat models, measuring 43<sup>1</sup>/<sub>2</sub>" in height.
- Offered with, and without, 27" high integrated table.
- Integrated table available in Maple, Walnut and White Oak veneer, as well as laminate selections.
- Table support post available in standard and premium metal finishes.
- Power units available on front and side of seating units and on tables. Position must be specified, in addition to cord exit grommet placement and power source location, as applicable.

## PRIVATE FREE-STANDING UNIT PRODUCT FEATURES:



- Lounge and love seat models, measuring 56<sup>3</sup>/<sub>4</sub>" in height.
- Accent tier panel available in upholstery, veneer, laminate or whiteboard material. Refer to Accent Tier product features section (page 4) for information.
- Offered with, and without, 27" high integrated table.
- Integrated table available in Maple, Walnut and White Oak veneer as well as laminate selections.
- Table support post available in standard and premium metal finishes.
- Power units available on front and side of seating units and on tables. Position must be specified, in addition to cord exit grommet placement and power source location, as applicable.
- Optional grommet available for tv/monitor integration (mounting hardware not included). Refer to page 6 for standard locations.

## PRIVATE FREE-STANDING UNIT WITH CANOPY PRODUCT FEATURES:

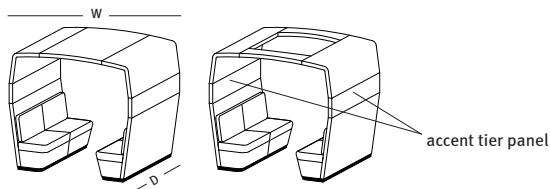


- Lounge and love seat models, measuring 88<sup>1</sup>/<sub>2</sub>" in height.
- Full, partial or open canopy.
- **Note: Canopy not available with polyurethane or vinyl upholstery.**
- Accent tier panel available in upholstery, veneer, laminate or whiteboard material. Refer to Accent Tier product features section (page 4) for information.
- Offered with, and without, 27" high integrated table.
- Integrated table available in Maple, Walnut and White Oak veneer, as well as laminate selections.
- Table support post available in standard and premium metal finishes.
- Overhead recessed LED swivel light available on full canopy models. Measuring 2<sup>5</sup>/<sub>8</sub>" in diameter and drawing 3 watts each, lounge units come with one fixture, and love seats come with two fixtures. Features touch-controlled power button on right or left side of seats, please specify location.
- Cantilever table and shelf available on love seat models only. Refer to individual product features section for information.
- Power units available on front and side of seating units and on tables.
- When specifying electrical or overhead LED light fixture, cord exit grommet placement must be specified, as well as power source location, as applicable.
- Optional linking table (to place between two private love seat units) and storage cubby (for use in side-to-side applications) ordered separately. Refer to individual product features section for information.
- Optional grommet available for tv/monitor integration (mounting hardware not included). Refer to page 6 for standard locations.

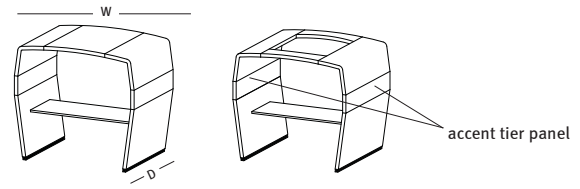


CO-OP

designed by qdesign

**FREE-STANDING LOVE SEAT BOOTH PRODUCT FEATURES:**

- Available in 60" and 72" depths, measuring 88<sup>1</sup>/<sub>2</sub>" in height.
- Full or open canopy.
- **Note: Canopy not available with polyurethane or vinyl upholstery.**
- Accent tier panel available in upholstery, veneer, laminate or whiteboard material. Refer to Accent Tier product features section (page 4) for information.
- Overhead recessed LED swivel light available on full canopy models. Comes with two fixtures, measuring 2<sup>5</sup>/<sub>8</sub>" in diameter and drawing 3 watts each. Features touch-controlled power button on right or left side of seats, please specify location.
- Power units available on front and side of seating units.
- When specifying electrical or overhead LED light fixture, cord exit grommet placement must be specified, as well as power source location, as applicable.
- Optional cantilever table and shelf available. Refer to individual product features section for information.
- Optional linking table (to place between two private love seat units) and storage cubby (for use in back-to-back applications) ordered separately. Refer to individual product features section for information.
- Free-standing tables ordered separately.

**STAND-ALONE PANEL WITH TABLE PRODUCT FEATURES:**

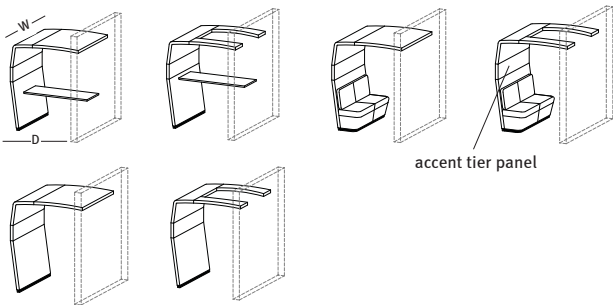
- Available in 60" and 72" depths, measuring 88<sup>1</sup>/<sub>2</sub>" in height.
- Full or open canopy.
- **Note: Canopy not available with polyurethane or vinyl upholstery.**
- Accent tier panel available in upholstery, veneer, laminate or whiteboard material. Refer to Accent Tier product features section (page 4) for information.
- Suspended table available at 27", 29" or 39" heights, in varying depths.
- Tables available in Maple, Walnut and White Oak veneer, as well as laminate selections.
- Overhead recessed LED swivel light available on full canopy models. Comes with two fixtures, measuring 2<sup>5</sup>/<sub>8</sub>" in diameter and drawing 3 watts each. Features touch-controlled power button on right or left side of seats, please specify location.
- Optional cantilever table and shelf available. Refer to individual product features section for information.
- Optional linking table (to place between two private love seat units) and storage cubby (for use in back-to-back applications) ordered separately. Refer to individual product features section for information.
- Optional power units mounted to center of table as standard.
- When specifying electrical or overhead LED light fixture, cord exit grommet placement must be specified, as well as power source location, as applicable.

CO-OP

designed by qdesign

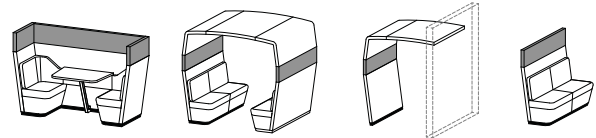


**WALL-MOUNT PANEL PRODUCT FEATURES:**



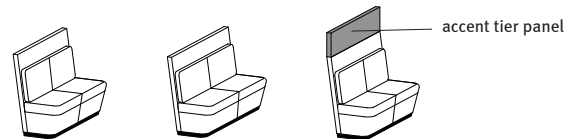
- Available in 60" and 72" widths, measuring 88<sup>1</sup>/<sub>2</sub>" in height.
- Full or open canopy.
- **Note: Canopy not available with polyurethane or vinyl upholstery.**
- Panel available with suspended table, connected love seat or by itself.
- Panel by itself must be floor-mounted, hardware included.
- Panel with connected love seat must be either floor-mounted or weighted with sandbags. Hardware included for floor-mounting. Optional sandbags can be ordered separately.
- Suspended table available at 27", 29" or 39" heights, in varying depths.
- Accent tier panel available in upholstery, veneer, laminate or whiteboard material. Refer to Accent Panel product features section for information.
- Overhead recessed LED swivel light available on panel with suspended table or panel with love seat. Comes with two fixtures, measuring 2<sup>5</sup>/<sub>8</sub>" in diameter and drawing 3 watts each. Features touch-controlled power button on right or left side of seat/table, please specify location.
- Optional cantilever table and shelf available. Refer to individual product features section for information.
- Optional linking table (to place between two private love seat units) and storage cubby (for use in back-to-back applications) ordered separately. Refer to individual product features section for information.
- Optional power units mounted to center of table as standard. Also available on front and side of seating unit.
- When specifying electrical or overhead LED light fixture, cord exit grommet placement must be specified, as well as power source location, as applicable.
- Unit is affixed to wall with provided mounting hardware.

**ACCENT TIER PRODUCT FEATURES:**



- Veneer panels available in Maple, Walnut and White Oak wood species and feature horizontal grain direction only.
- Laminate and whiteboard panels also available and will be applied to both sides as standard.
- Veneer, laminate and whiteboard can be intermixed (interior and exterior accent tier panel does not have to be the same material). List model number with applicable interior surface material code first, followed by exterior surface material code (e.g. #6512-WB-V represents unit with whiteboard on the interior and veneer on the exterior).
- Note: upholstery accent tier panel must be upholstered on both interior and exterior of units (cannot mix materials).
- Solid wood end caps to match accent tier finish, unless otherwise specified. When intermixing materials, end cap finish must be specified.
- Note: wood grain on solid wood end caps will run vertically.

**STAND-ALONE LOVE SEATS PRODUCT FEATURES:**

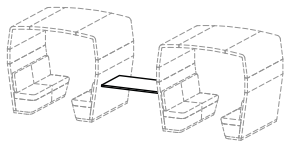


- Available in 60" and 72" widths, with 43<sup>1</sup>/<sub>2</sub>" and 56<sup>3</sup>/<sub>4</sub>" heights.
- Accent tier panel on 56<sup>3</sup>/<sub>4</sub>" high models available in upholstery, veneer, laminate or whiteboard material. Refer to Accent Tier product features section for information.
- Power units available on front and side of seating units. Position must be specified, in addition to cord exit grommet placement and power source location, as applicable.
- Optional cantilever table, shelf and storage cubby (for use in back-to-back applications) ordered separately. Refer to individual product features section for information.

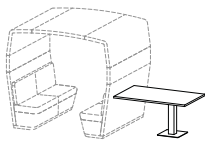


CO-OP

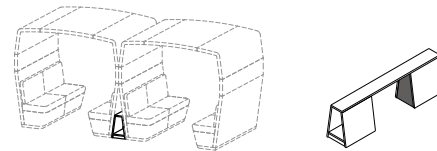
designed by qdesign

**LINKING TABLE PRODUCT FEATURES:**

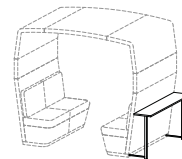
- Linking table can be mounted between any 60" and 72" wide seating or wall panel units.
- 29" and 39" mounted heights.
- Available in 30" and 36" depths, in lengths of 60" and 72".
- Tables available in Maple, Walnut and White Oak veneer, as well as laminate selections.
- Optional power units mounted to center of table as standard.
- When specifying electrical, cord exit grommet placement must be specified on the applicable seating unit, as well as power source location, as applicable.

**CANTILEVER TABLE PRODUCT FEATURES:**

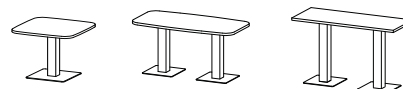
- Cantilever table can be affixed to any 60" and 72" wide seating or wall panel unit.
- 29" and 39" table heights.
- Available in 30" and 36" depths, in lengths of 60" and 72".
- Tables available in Maple, Walnut and White Oak veneer, as well as laminate selections. Refer to General Product Features on page 1 for edge detail specifications.
- Table column dimensions:  $4\frac{3}{4}" \times 4\frac{3}{4}"$ .
- Table base plate dimensions: 22" x 22".
- Column and base plate available in standard and premium metal finishes.
- Optional power units mounted to center of table as standard.
- When specifying electrical, cord exit grommet placement must be specified on the applicable seating unit, as well as power source location, as applicable.

**STORAGE CUBBY PRODUCT FEATURES:**

- Double-sided unit fits between tapered spaces of back-to-back 60" and 72" wide models.
- 60" and 72" lengths available.
- Available in Maple, Walnut and White Oak veneer, as well as laminate selections.
- Inside clearance, per cubby: 6" wide at the top, 10" wide at the bottom and  $14\frac{1}{4}"$  high.
- Ships separately.

**SHELF PRODUCT FEATURES:**

- Shelf available on all 60" and 72" wide models.
- Available in 30" and 40" heights.
- Shelf depth is 12" with 150 lbs. maximum weight allowance.
- Available in Maple, Walnut and White Oak veneer, as well as laminate selections. Refer to General Product Features on page 1 for edge detail specifications.
- Shelf support posts available in standard and premium metal finishes.
- Ships separately and requires field-assembly.

**FREE-STANDING MEETING TABLES PRODUCT FEATURES:**

- Arc square, rectangle and arc rectangle table shapes available in 27", 29" and 39" heights.
- Depth options include: 24", 30", 36" and 42".
- Available in Maple, Walnut and White Oak veneer, as well as laminate selections.
- Refer to General Product Features on page 1 for edge detail specifications.
- Table column dimensions:  $4\frac{3}{4}" \times 4\frac{3}{4}"$ .
- Column and base plate available in standard and premium metal finishes.
- Power units not available on free-standing tables.

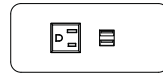
# CO-OP

designed by qdesign



## POWER UNITS:

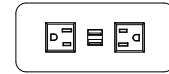
- PB1, PB2 and PB3 units available for placement below seats, as well as on integrated, suspended and linking tables.
- PB1 and PB2 dimensions: 5<sup>3</sup>/<sub>4</sub>" W x 2<sup>1</sup>/<sub>2</sub>" D
- PB3 dimensions: 6<sup>1</sup>/<sub>2</sub>" W x 2<sup>1</sup>/<sub>2</sub>" D
- Metallic silver finish with 108" electrical cord.
- UL listed.
- PB1 unit features one outlet and two USB charging ports.
- PB2 unit features two outlets.
- PB3 unit features two outlets and two USB charging ports.
- PP1, PP2 and PP3 Portal Power units also available for integrated, suspended, cantilever and linking tables only.
- **Cord exit grommet position must always be specified as well as power source location, as applicable.**



PB1



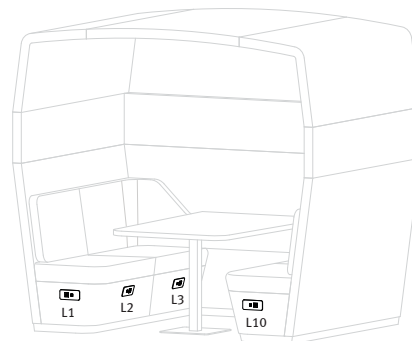
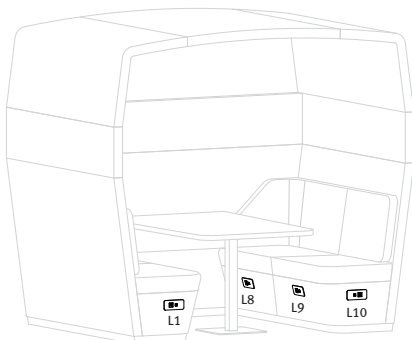
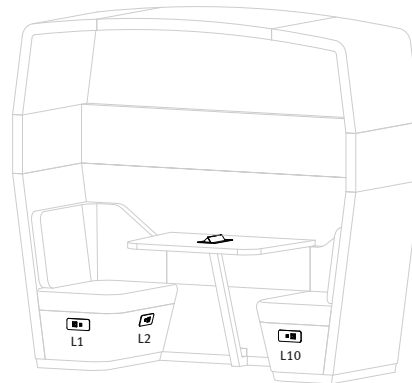
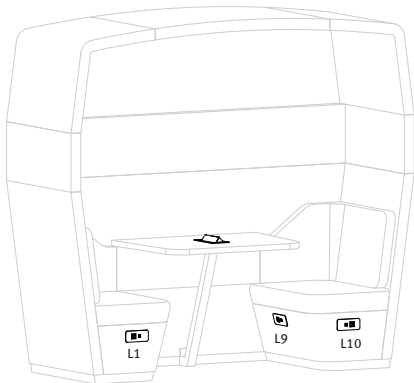
PB2



PB3

## STANDARD POWER UNIT PLACEMENT, SEATING UNITS:

- Drawings reflect the general standard locations for electrical unit placement.
- For custom placements, please contact Customer Service.

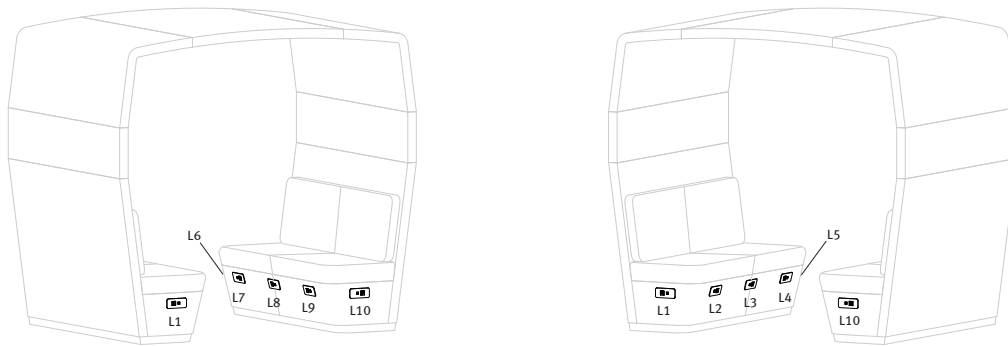




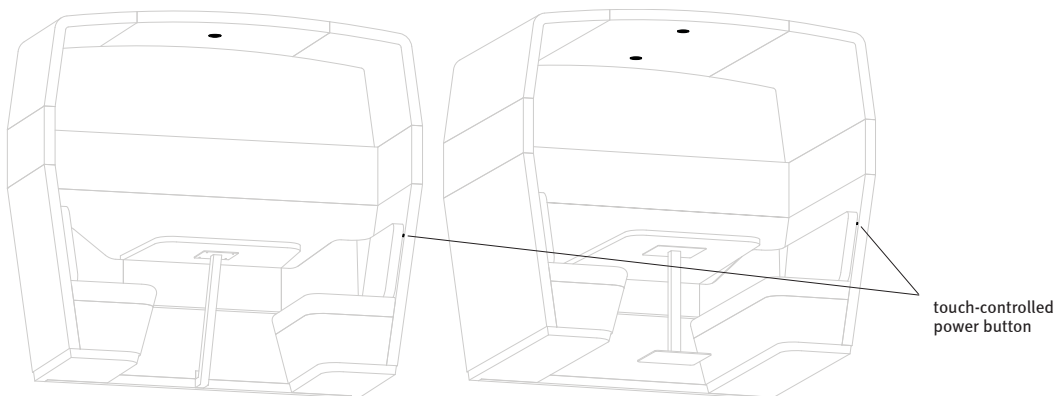
CO-OP  
designed by qdesign

**STANDARD POWER UNIT PLACEMENT, SEATING UNITS (CONTINUED):**

- Drawings reflect the general standard locations for electrical unit placement.
- For custom placements, please contact Customer Service.



**OVERHEAD LED LIGHT FIXTURE AND BUTTON POSITION:**





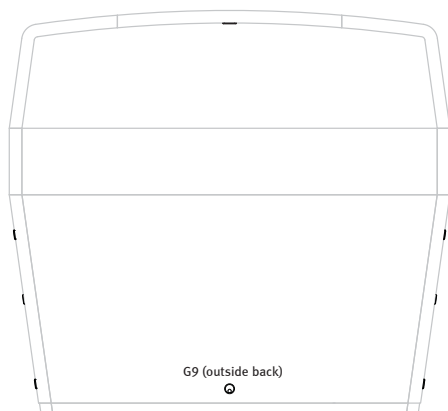
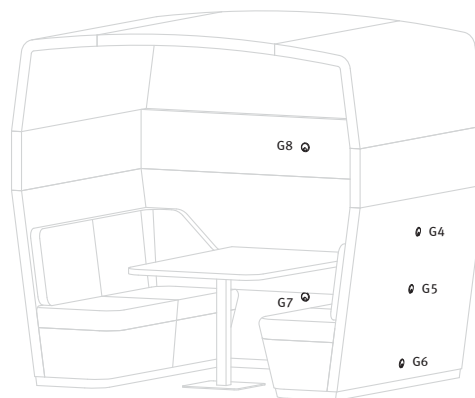
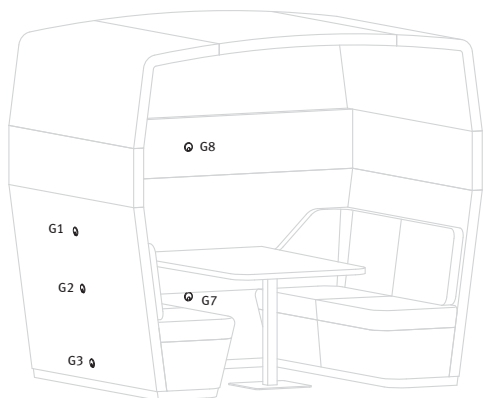
# CO-OP

designed by qdesign



## STANDARD CORD EXIT LOCATION

- Please reference the appropriate grommet exit code location when specifying electrical or overhead LED light fixture.
- G8 and G9 locations are for tv/monitor integration (both required). Maximum tv/monitor size is 42".
- For custom placements, please contact Customer Service.



**NOTES:**

- Fully upholstered seating models with black plinth base. Refer to page 2 for product details.
- For units with integrated table, please refer to page 11.
- Power unit placement and cord exit position must be specified as well as power source location, as applicable.

**SPECIFY:**

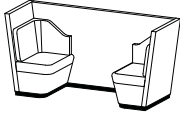
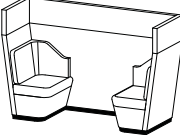
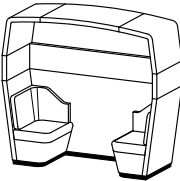
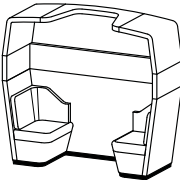
1. Model number
2. Upholstery selection
3. Options, as applicable

**ORDERING EXAMPLE:**

**#6512-PB1**  
 Private Lounge w/Full Canopy  
 Upholstery Selection  
 Power Band 1

**CO-OP**

designed by qdesign

MODEL NUMBER	PRODUCT SPECIFICATIONS	FABRIC GRADES								
		COM	1	2	3	4	5	6	7	8
<b>6510</b> 	<b>Public Lounge Unit</b> W 88 <sup>1</sup> / <sub>2</sub> D 30 H 43 <sup>1</sup> / <sub>4</sub> Seat Height 18 Inside Seat Width 25 <sup>1</sup> / <sub>2</sub> Inside Seat Depth 19 15 <sup>1</sup> / <sub>4</sub> yds. 290 lbs. TB 133, add \$702 List	4020	4821	5022	5361	5699	6023	6362	6685	7024
<b>6511</b> 	<b>Private Lounge Unit</b> W 88 <sup>1</sup> / <sub>2</sub> D 30 H 56 <sup>3</sup> / <sub>4</sub> Seat Height 18 Inside Seat Width 25 <sup>1</sup> / <sub>2</sub> Inside Seat Depth 19 20 yds. 351 lbs. TB 133, add \$920 List	5233	6284	6546	6991	7435	7859	8304	8728	9172
<b>6512</b> 	<b>Private Lounge Unit with Full Canopy</b> W 88 <sup>1</sup> / <sub>2</sub> D 30 H 80 <sup>1</sup> / <sub>4</sub> Seat Height 18 Inside Seat Width 25 <sup>1</sup> / <sub>2</sub> Inside Seat Depth 19 25 <sup>1</sup> / <sub>2</sub> yds. 416 lbs. TB 133, add \$1173 List	6668	8008	8343	8909	9476	10017	10583	11124	11691
<b>6513</b> 	<b>Private Lounge Unit with Partial Canopy</b> W 88 <sup>1</sup> / <sub>2</sub> D 30 H 80 <sup>1</sup> / <sub>4</sub> Seat Height 18 Inside Seat Width 25 <sup>1</sup> / <sub>2</sub> Inside Seat Depth 19 25 yds. 411 lbs. TB 133, add \$1150 List	6706	8019	8348	8903	9459	9989	10544	11075	11630

**OPTIONS**

MODEL	DESCRIPTION	LIST
-MB	Moisture Barrier, Seats Only	122
-LED1	LED Light (one fixture, full canopy only)	350
-SB1	Sandbags, Set of 2 (50 lbs. per seat)	250
<b>FOR PLACEMENT BELOW SEATS</b>		
-PB1	Power Band 1 (one power, two USB)	385
-PB2	Power Band 2 (dual power)	300
-PB3	Power Band 3 (dual power, two USB)	400



**NOTES:**

- Seating models with accent tier. Refer to page 4 for product details.
- For units with integrated table, please refer to page 12.
- Accent tier available in Maple, Walnut and White Oak veneer (-V), laminate (-L) and whiteboard material (-WB). Please specify code for interior and exterior material selections.
- Standard with black plinth base.

- When specifying electrical or over-head LED light fixture, cord exit grommet position must be specified as well as power source location, as applicable.

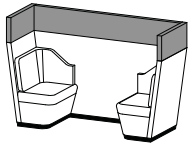
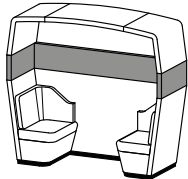
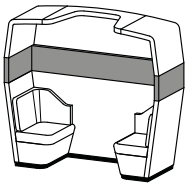
**SPECIFY:**

1. Model number
2. Accent tier finish, interior
3. Accent tier finish, exterior
4. Upholstery selection
5. Options, as applicable

**ORDERING EXAMPLE:**

**#6513-V-V-MB**

Private Lounge w/Partial Canopy  
 Veneer Accent Tier, Interior  
 Veneer Accent Tier, Exterior  
 Upholstery Selection  
 Moisture Barrier

MODEL NUMBER	PRODUCT SPECIFICATIONS	FABRIC GRADES								
		COM	1	2	3	4	5	6	7	8
<p><b>Specify Interior Material Code, Followed by Exterior Material Code</b>                      V = Veneer L = Laminate WB = Whiteboard</p>										
<p><b>6511-(-)-(-)</b></p> 	<p><b>Private Lounge Unit Non-Upholstered Accent Tier</b>                      W 88<sup>1</sup>/<sub>2</sub> D 30 H 56<sup>3</sup>/<sub>4</sub>                      Seat Height 18                      Inside Seat Width 25<sup>1</sup>/<sub>2</sub>                      Inside Seat Depth 19                      15<sup>1</sup>/<sub>4</sub> yds. 360 lbs.                      TB 133, add \$702 List</p>	6548	7349	7550	7889	8227	8551	8890	9213	9552
<p><b>6512-(-)-(-)</b></p> 	<p><b>Private Lounge Unit with Full Canopy Non-Upholstered Accent Tier</b>                      W 88<sup>1</sup>/<sub>2</sub> D 30 H 80<sup>1</sup>/<sub>4</sub>                      Seat Height 18                      Inside Seat Width 25<sup>1</sup>/<sub>2</sub>                      Inside Seat Depth 19                      20<sup>3</sup>/<sub>4</sub> yds. 425 lbs.                      TB 133, add \$955 List</p>	7983	9073	9346	9807	10268	10708	11169	11609	12070
<p><b>6513-(-)-(-)</b></p> 	<p><b>Private Lounge Unit with Partial Canopy Non-Upholstered Accent Tier</b>                      W 88<sup>1</sup>/<sub>2</sub> D 30 H 80<sup>1</sup>/<sub>4</sub>                      Seat Height 18                      Inside Seat Width 25<sup>1</sup>/<sub>2</sub>                      Inside Seat Depth 19                      20<sup>1</sup>/<sub>4</sub> yds. 420 lbs.                      TB 133, add \$932 List</p>	8021	9085	9351	9801	10251	10680	11130	11560	12010

**OPTIONS**

MODEL	DESCRIPTION	LIST
-MB	Moisture Barrier, Seats Only	122
-LED1	LED Light (one fixture, full canopy only)	350
-SB1	Sandbags, Set of 2 (50 lbs. per seat)	250
<b>FOR PLACEMENT BELOW SEATS</b>		
-PB1	Power Band 1 (one power, two USB)	385
-PB2	Power Band 2 (dual power)	300
-PB3	Power Band 3 (dual power, two USB)	400

**NOTES:**

- Fully upholstered seating models with integrated table. Refer to page 2 for product details.
- Standard with black plinth base.
- 27" high integrated table available in Maple, Walnut and White Oak veneer as well as laminate selections.
- When specifying electrical or overhead LED light fixture, cord exit grommet position must be specified as well as power source location, as applicable.

**SPECIFY:**

1. Model number
2. Upholstery selection
3. Table top and edge wood species
4. Table top and edge wood finish
5. Table post finish
6. Options, as applicable

**ORDERING EXAMPLE:**

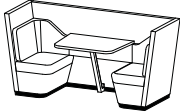
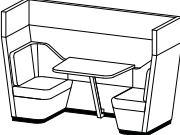
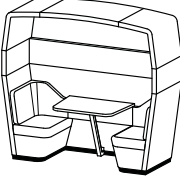
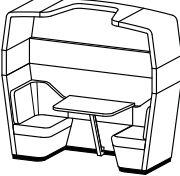
**#6510-65TS-PP1**

Public Lounge w/Table  
Upholstery Selection  
Table and Edge Wood Species  
Table and Edge Wood Finish  
Table Post Finish  
Portal Power 1, Table Placement

CO-OP

designed by qdesign



MODEL NUMBER	PRODUCT SPECIFICATIONS	FABRIC GRADES								
		COM	1	2	3	4	5	6	7	8
 <p><b>6510-65TS</b> <b>Public Lounge Unit with Integrated Table</b> W 88<sup>1</sup>/<sub>2</sub> D 30 H 43<sup>1</sup>/<sub>2</sub> Seat Height 18 Inside Seat Width 25<sup>1</sup>/<sub>2</sub> Inside Seat Depth 19 16<sup>1</sup>/<sub>4</sub> yds. 327 lbs. TB 133, add \$748 List</p>	5049	5903	6116	6477	6838	7183	7544	7889	8250	
 <p><b>6511-65TS</b> <b>Private Lounge Unit with Integrated Table</b> W 88<sup>1</sup>/<sub>2</sub> D 30 H 56<sup>3</sup>/<sub>4</sub> Seat Height 18 Inside Seat Width 25<sup>1</sup>/<sub>2</sub> Inside Seat Depth 19 21 yds. 388 lbs. TB 133, add \$966 List</p>	6262	7365	7641	8108	8574	9020	9486	9932	10398	
 <p><b>6512-65TS</b> <b>Private Lounge Unit with Full Canopy and Integrated Table</b> W 88<sup>1</sup>/<sub>2</sub> D 30 H 80<sup>1</sup>/<sub>4</sub> Seat Height 18 Inside Seat Width 25<sup>1</sup>/<sub>2</sub> Inside Seat Depth 19 26<sup>1</sup>/<sub>2</sub> yds. 453 lbs. TB 133, add \$1219 List</p>	7697	9089	9437	10026	10615	11177	11766	12328	12917	
 <p><b>6513-65TS</b> <b>Private Lounge Unit with Partial Canopy and Integrated Table</b> W 88<sup>1</sup>/<sub>2</sub> D 30 H 80<sup>1</sup>/<sub>4</sub> Seat Height 18 Inside Seat Width 25<sup>1</sup>/<sub>2</sub> Inside Seat Depth 19 26 yds. 448 lbs. TB 133, add \$1196 List</p>	7735	9101	9442	10020	10598	11149	11727	12278	12856	

**OPTIONS**

MODEL	DESCRIPTION	LIST
-MB	Moisture Barrier, Seats Only	122
-LED1	LED Light (one fixture, full canopy only)	350
-PF5	Premium Finish, Table Post	100
-SB1	Sandbags, Set of 2 (50 lbs. per seat)	250
<b>FOR PLACEMENT BELOW SEATS AND/OR CENTER OF INTEGRATED TABLES</b>		
-PB1	Power Band 1 (one power, two USB)	385
-PB2	Power Band 2 (dual power)	300
-PB3	Power Band 3 (dual power, two USB)	400
<b>FOR INTEGRATED TABLES ONLY, CENTER PLACEMENT</b>		
-PP1	Portal Power 1 (one power, one data)	570
-PP2	Portal Power 2 (dual power)	505
-PP3	Portal Power 3 (one power, two USB)	600



**NOTES:**

- Seating models with accent tier. Refer to page 4 for product details.
- Accent tier available in Maple, Walnut and White Oak veneer (-V), laminate (-L) and whiteboard material (-WB). Please specify code for interior and exterior material selections.
- Standard with black plinth base.
- 27" high integrated table available in Maple, Walnut and White Oak veneer as well as laminate selections.

- When specifying electrical or over-head LED light fixture, cord exit grommet position must be specified as well as power source location, as applicable.

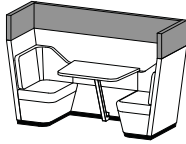
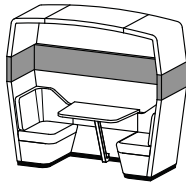
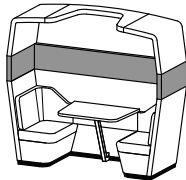
**SPECIFY:**

1. Model number
2. Accent tier finish, interior
3. Accent tier finish, exterior
4. Upholstery selection
5. Table and edge wood species
6. Table and edge wood finish
7. Table post finish
8. Options, as applicable

**ORDERING EXAMPLE:**

**#6512-WB-WB-65TS-PF5**

Private Lounge w/Full Canopy and Table  
 Whiteboard Accent Tier, Interior  
 Whiteboard Accent Tier, Exterior  
 Upholstery Selection  
 Table Wood Species  
 Table Wood Finish  
 Table Post Premium Finish

MODEL NUMBER	PRODUCT SPECIFICATIONS	FABRIC GRADES								
		COM	1	2	3	4	5	6	7	8
<p><b>Specify Interior Material Code, Followed by Exterior Material Code</b>                      V = Veneer L = Laminate WB = Whiteboard</p>										
<p><b>6511-(-)(-)-65TS</b></p> 	<p><b>Private Lounge Unit with Integrated Table Non-Upholstered Accent Tier</b>                      W 88<sup>1</sup>/<sub>2</sub> D 30 H 56<sup>3</sup>/<sub>4</sub>                      Seat Height 18                      Inside Seat Width 25<sup>1</sup>/<sub>2</sub>                      Inside Seat Depth 19                      16<sup>1</sup>/<sub>4</sub> yds. 397 lbs.                      TB 133, add \$748 List</p>	7577	8431	8644	9005	9366	9711	10072	10417	10778
<p><b>6512-(-)(-)-65TS</b></p> 	<p><b>Private Lounge Unit with Full Canopy and Integrated Table, Non-Upholstered Accent Tier</b>                      W 88<sup>1</sup>/<sub>2</sub> D 30 H 80<sup>1</sup>/<sub>4</sub>                      Seat Height 18                      Inside Seat Width 25<sup>1</sup>/<sub>2</sub>                      Inside Seat Depth 19                      21<sup>3</sup>/<sub>4</sub> yds. 462 lbs.                      TB 133, add \$1001 List</p>	9012	10155	10440	10924	11407	11868	12352	12813	13296
<p><b>6513-(-)(-)-65TS</b></p> 	<p><b>Private Lounge Unit with Partial Canopy and Integrated Table, Non-Upholstered Accent Tier</b>                      W 88<sup>1</sup>/<sub>2</sub> D 30 H 80<sup>1</sup>/<sub>4</sub>                      Seat Height 18                      Inside Seat Width 25<sup>1</sup>/<sub>2</sub>                      Inside Seat Depth 19                      21<sup>1</sup>/<sub>4</sub> yds. 457 lbs.                      TB 133, add \$978 List</p>	9050	10167	10446	10918	11390	11841	12313	12764	13236

**OPTIONS**

MODEL	DESCRIPTION	LIST
-MB	Moisture Barrier, Seats Only	122
-LED1	LED Light (one fixture, full canopy only)	350
-PF5	Premium Finish, Table Post	100
-SB1	Sandbags, Set of 2 (50 lbs. per seat)	250
<b>FOR PLACEMENT BELOW SEATS AND/OR CENTER OF INTEGRATED TABLES</b>		
-PB1	Power Band 1 (one power, two USB)	385
-PB2	Power Band 2 (dual power)	300
-PB3	Power Band 3 (dual power, two USB)	400
<b>FOR INTEGRATED TABLES ONLY, CENTER PLACEMENT</b>		
-PP1	Portal Power 1 (one power, one data)	570
-PP2	Portal Power 2 (dual power)	505
-PP3	Portal Power 3 (one power, two USB)	600

**NOTES:**

- Fully upholstered seating models with black plinth base. Refer to page 2 for product details.
- For units with integrated table, please refer to page 15.
- When specifying electrical or overhead LED light fixture, cord exit grommet position must be specified as well as power source location, as applicable.

**SPECIFY:**

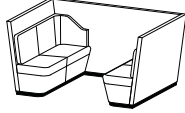

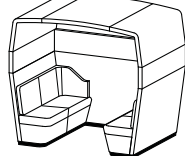
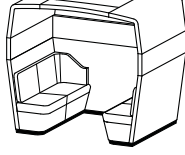
1. Model number
2. Upholstery selection
3. Options, as applicable

**ORDERING EXAMPLE:**

**#6520-PB1**  
Public Love Seat  
Upholstery Selection  
Power Band 1

**CO-OP**

designed by qdesign

MODEL NUMBER	PRODUCT SPECIFICATIONS	FABRIC GRADES								
		COM	1	2	3	4	5	6	7	8
<b>6520</b> 	<b>Public Love Seat Unit</b> W 88 <sup>1</sup> / <sub>2</sub> D 60 H 43 <sup>1</sup> / <sub>2</sub> Seat Height 18 Inside Seat Width 55 <sup>1</sup> / <sub>4</sub> Inside Seat Depth 19 23 <sup>1</sup> / <sub>4</sub> yds. 480 lbs. TB 133, add \$1070 List	5087	6309	6614	7130	7647	8140	8657	9150	9667
<b>6521</b> 	<b>Private Love Seat Unit</b> W 88 <sup>1</sup> / <sub>2</sub> D 60 H 56 <sup>3</sup> / <sub>4</sub> Seat Height 18 Inside Seat Width 55 <sup>1</sup> / <sub>4</sub> Inside Seat Depth 19 30 yds. 535 lbs. TB 133, add \$1380 List	6534	8110	8504	9171	9837	10473	11140	11776	12443
<b>6522</b> 	<b>Private Love Seat Unit with Full Canopy</b> W 88 <sup>1</sup> / <sub>2</sub> D 60 H 80 <sup>1</sup> / <sub>4</sub> Seat Height 18 Inside Seat Width 55 <sup>1</sup> / <sub>4</sub> Inside Seat Depth 19 41 <sup>1</sup> / <sub>2</sub> yds. 665 lbs. TB 133, add \$1909 List	8543	10723	11268	12190	13112	13992	14915	15795	16717
<b>6523</b> 	<b>Private Love Seat with Open Canopy</b> W 88 <sup>1</sup> / <sub>2</sub> D 60 H 80 <sup>1</sup> / <sub>4</sub> Seat Height 18 Inside Seat Width 55 <sup>1</sup> / <sub>4</sub> Inside Seat Depth 19 39 <sup>3</sup> / <sub>4</sub> yds. 639 lbs. TB 133, add \$1829 List	8595	10683	11205	12088	12972	13815	14698	15541	16424

**OPTIONS**

MODEL	DESCRIPTION	LIST	OPTIONAL ACCESSORIES	PAGE REFERENCE
-MB	Moisture Barrier, Seats Only	178	Shelf	page 27
-LED2	LED Light (two fixtures, full canopy only)	500	Linking Table	page 28
-TG	Grommet for TV/Monitor Integration	65	Cantilever Table	page 28
-SB2	Sandbags, Set of 6 (150 lbs. each side)	700	Storage Cubby	page 29
<b>FOR PLACEMENT BELOW SEATS</b>				
-PB1	Power Band 1 (one power, two USB)	385		
-PB2	Power Band 2 (dual power)	300		
-PB3	Power Band 3 (dual power, two USB)	400		



**NOTES:**

- Seating models with accent tier. Refer to pages 2 and 4 for product details.
- For units with integrated table, please refer to page 16.
- Accent tier available in Maple, Walnut and White Oak veneer (-V), laminate (-L) and whiteboard material (-WB). Please specify code for interior and exterior material selections.
- Standard with black plinth base.

- When specifying electrical or over-head LED light fixture, cord exit grommet position must be specified as well as power source location, as applicable.

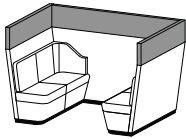
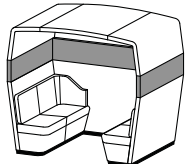
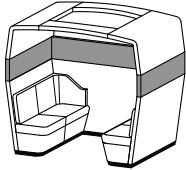
**SPECIFY:**

1. Model number
2. Accent tier finish, interior
3. Accent tier finish, exterior
4. Upholstery selection
5. Options, as applicable

**ORDERING EXAMPLE:**

**#6523-V-WB-PB3**

Private Love Seat w/Open Canopy  
 Veneer Accent Tier, Interior  
 Whiteboard Accent Tier, Exterior  
 Upholstery Selection  
 Power Band 3

MODEL NUMBER	PRODUCT SPECIFICATIONS	FABRIC GRADES								
		COM	1	2	3	4	5	6	7	8
<p><b>Specify Interior Material Code, Followed by Exterior Material Code</b>                      V = Veneer L = Laminate WB = Whiteboard</p>										
<p><b>6521-()-()</b></p> 	<p><b>Private Love Seat Unit                      Non-Upholstered Accent Tier</b>                      W 88<sup>1</sup>/<sub>2</sub> D 60 H 56<sup>3</sup>/<sub>4</sub>                      Seat Height 18                      Inside Seat Width 55<sup>1</sup>/<sub>4</sub>                      Inside Seat Depth 19                      23<sup>1</sup>/<sub>4</sub> yds. 550 lbs.                      TB 133, add \$1070 List</p>	8665	9887	10192	10708	11225	11718	12235	12728	13245
<p><b>6522-()-()</b></p> 	<p><b>Private Love Seat Unit with Full Canopy,                      Non-Upholstered Accent Tier</b>                      W 88<sup>1</sup>/<sub>2</sub> D 60 H 80<sup>1</sup>/<sub>4</sub>                      Seat Height 18                      Inside Seat Width 55<sup>1</sup>/<sub>4</sub>                      Inside Seat Depth 19                      34<sup>3</sup>/<sub>4</sub> yds. 680 lbs.                      TB 133, add \$1599 List</p>	10674	12500	12956	13728	14500	15237	16009	16746	17519
<p><b>6523-()-()</b></p> 	<p><b>Private Love Seat Unit with Open Canopy,                      Non-Upholstered Accent Tier</b>                      W 88<sup>1</sup>/<sub>2</sub> D 60 H 80<sup>1</sup>/<sub>4</sub>                      Seat Height 18                      Inside Seat Width 55<sup>1</sup>/<sub>4</sub>                      Inside Seat Depth 19                      33 yds. 654 lbs.                      TB 133, add \$1518 List</p>	10726	12460	12893	13626	14359	15059	15793	16493	17226

**OPTIONS**

MODEL	DESCRIPTION	LIST	OPTIONAL ACCESSORIES	PAGE REFERENCE
-MB	Moisture Barrier, Seats Only	178	Shelf	page 27
-LED2	LED Light (two fixtures, full canopy only)	500	Linking Table	page 28
-TG	Grommet for TV/Monitor Integration	65	Cantilever Table	page 28
-SB2	Sandbags, Set of 6 (150 lbs. each side)	700	Storage Cubby	page 29
<b>FOR PLACEMENT BELOW SEATS</b>				
-PB1	Power Band 1 (one power, two USB)	385		
-PB2	Power Band 2 (dual power)	300		
-PB3	Power Band 3 (dual power, two USB)	400		

**NOTES:**

- Fully upholstered seating models with integrated table. Refer to page 2 for product details.
- Standard with black plinth base.
- 27" high integrated table available in Maple, Walnut and White Oak veneer as well as laminate selections.
- Table support post dimensions include 2" x 2" column and 14" x 14" base plate.
- When specifying electrical or overhead LED light fixture, cord exit grommet position must be specified as well as power source location, as applicable.

**SPECIFY:**

1. Model number
2. Upholstery selection
3. Table wood species
4. Table wood finish
5. Table post finish
6. Options, as applicable

**ORDERING EXAMPLE:**

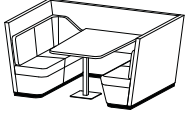
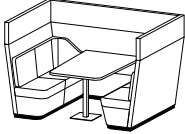
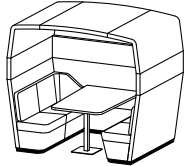
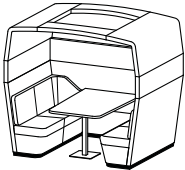
#6521-65TL

- Private Love Seat with Table
- Upholstery Selection
- Table Wood Species
- Table Wood Finish
- Table Post Finish

CO-OP

designed by qdesign



MODEL NUMBER	PRODUCT SPECIFICATIONS	FABRIC GRADES								
		COM	1	2	3	4	5	6	7	8
<b>6520-65TL</b> 	<b>Public Love Seat Unit with Integrated Table</b> W 88 <sup>1</sup> / <sub>2</sub> D 60 H 43 <sup>1</sup> / <sub>2</sub> Seat Height 18 Inside Seat Width 55 <sup>1</sup> / <sub>4</sub> Inside Seat Depth 19 24 <sup>1</sup> / <sub>4</sub> yds. 547 lbs. TB 133, add \$1116 List	7139	8413	8732	9270	9809	10324	10862	11377	11916
<b>6521-65TL</b> 	<b>Private Love Seat Unit with Integrated Table</b> W 88 <sup>1</sup> / <sub>2</sub> D 60 H 56 <sup>3</sup> / <sub>4</sub> Seat Height 18 Inside Seat Width 55 <sup>1</sup> / <sub>4</sub> Inside Seat Depth 19 31 yds. 622 lbs. TB 133, add \$1426 List	8586	10215	10622	11310	11999	12657	13346	14003	14692
<b>6522-65TL</b> 	<b>Private Love Seat Unit with Full Canopy and Integrated Table</b> W 88 <sup>1</sup> / <sub>2</sub> D 60 H 80 <sup>1</sup> / <sub>4</sub> Seat Height 18 Inside Seat Width 55 <sup>1</sup> / <sub>4</sub> Inside Seat Depth 19 42 <sup>1</sup> / <sub>2</sub> yds. 752 lbs. TB 133, add \$1955 List	10595	12828	13386	14330	15274	16176	17120	18022	18966
<b>6523-65TL</b> 	<b>Private Love Seat with Open Canopy and Integrated Table</b> W 88 <sup>1</sup> / <sub>2</sub> D 60 H 80 <sup>1</sup> / <sub>4</sub> Seat Height 18 Inside Seat Width 55 <sup>1</sup> / <sub>4</sub> Inside Seat Depth 19 40 <sup>3</sup> / <sub>4</sub> yds. 726 lbs. TB 133, add \$1875 List	10647	12788	13323	14228	15134	15998	16903	17768	18673

**OPTIONS**

MODEL	DESCRIPTION	LIST	OPTIONAL ACCESSORIES	PAGE REFERENCE
-MB	Moisture Barrier, Seats Only	178	Shelf	page 27
-LED2	LED Light (two fixtures, full canopy only)	500	Linking Table	page 28
-TG	Grommet for TV/Monitor Integration	65	Cantilever Table	page 28
-PF5	Premium Finish, Table Post	100	Storage Cubby	page 29
-SB2	Sandbags, Set of 6 (150 lbs. each side)	700		
<b>FOR PLACEMENT BELOW SEATS AND/OR CENTER OF INTEGRATED TABLES</b>				
-PB1	Power Band 1 (one power, two USB)	385		
-PB2	Power Band 2 (dual power)	300		
-PB3	Power Band 3 (dual power, two USB)	400		
<b>FOR INTEGRATED TABLES ONLY, CENTER PLACEMENT</b>				
-PP1	Portal Power 1 (one power, one data)	570		
-PP2	Portal Power 2 (dual power)	505		
-PP3	Portal Power 3 (one power, two USB)	600		





**NOTES:**

- Seating models with accent tier. Refer to pages 2 and 4 for product details.
- Accent tier available in Maple, Walnut and White Oak veneer (-V), laminate (-L) and whiteboard material (-WB). Please specify code for interior and exterior material selections.
- Standard with black plinth base.
- 27" high integrated table available in Maple, Walnut and White Oak veneer as well as laminate selections.

- Table support post dimensions include 2" x 2" column and 14" x 14" base plate.

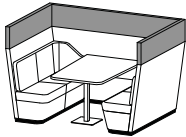
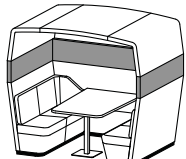
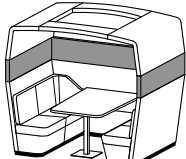
**SPECIFY:**

1. Model number
2. Accent tier finish, interior
3. Accent tier finish, exterior
4. Upholstery selection
5. Table wood species
6. Table wood finish
7. Table post finish
8. Options, as applicable

**ORDERING EXAMPLE:**

**#6523-L-L-65TL-PF5-PP1**

Private Love Seat w/Open Canopy and Table  
Laminate Accent Tier, Interior  
Laminate Accent Tier, Exterior  
Upholstery Selection  
Table Wood Species  
Table Wood Finish  
Table Post Premium Finish  
Portal Power 1, Table Placement

MODEL NUMBER	PRODUCT SPECIFICATIONS	FABRIC GRADES								
		COM	1	2	3	4	5	6	7	8
<p><b>Specify Interior Material Code, Followed by Exterior Material Code</b>  <b>V = Veneer L = Laminate WB = Whiteboard</b></p>										
<p><b>6521-(-)-(-)-65TL</b></p> 	<p><b>Private Love Seat Unit with Integrated Table Non-Upholstered Accent Tier</b>                      W 88<sup>1</sup>/<sub>2</sub> D 60 H 56<sup>3</sup>/<sub>4</sub>                      Seat Height 18                      Inside Seat Width 55<sup>1</sup>/<sub>4</sub>                      Inside Seat Depth 19                      24<sup>1</sup>/<sub>4</sub> yds. 562 lbs.                      TB 133, add \$1116 List</p>	10717	11991	12310	12848	13387	13902	14440	14955	15494
<p><b>6522-(-)-(-)-65TL</b></p> 	<p><b>Private Love Seat Unit with Full Canopy and Integrated Table, Non-Upholstered Accent Tier</b>                      W 88<sup>1</sup>/<sub>2</sub> D 60 H 80<sup>1</sup>/<sub>4</sub>                      Seat Height 18                      Inside Seat Width 55<sup>1</sup>/<sub>4</sub>                      Inside Seat Depth 19                      35<sup>3</sup>/<sub>4</sub> yds. 637 lbs.                      TB 133, add \$1645 List</p>	12726	14604	15073	15868	16662	17420	18215	18973	19767
<p><b>6523-(-)-(-)-65TL</b></p> 	<p><b>Private Love Seat Unit with Open Canopy and Integrated Table, Non-Upholstered Accent Tier</b>                      W 88<sup>1</sup>/<sub>2</sub> D 60 H 80<sup>1</sup>/<sub>4</sub>                      Seat Height 18                      Inside Seat Width 55<sup>1</sup>/<sub>4</sub>                      Inside Seat Depth 19                      34 yds. 741 lbs.                      TB 133, add \$1564 List</p>	12778	14564	15011	15766	16522	17243	17998	18719	19475

**OPTIONS**

MODEL	DESCRIPTION	LIST	OPTIONAL ACCESSORIES PAGE REFERENCE	
-MB	Moisture Barrier, Seats Only	178	Shelf	page 27
-LED2	LED Light (two fixtures, full canopy only)	500	Linking Table	page 28
-TG	Grommet for TV/Monitor Integration	65	Cantilever Table	page 28
-PF5	Premium Finish, Table Post	100	Storage Cubby	page 29
-SB2	Sandbags, Set of 6 (150 lbs. each side)	700		
<b>FOR PLACEMENT BELOW SEATS AND/OR CENTER OF INTEGRATED TABLES</b>				
-PB1	Power Band 1 (one power, two USB)	385		
-PB2	Power Band 2 (dual power)	300		
-PB3	Power Band 3 (dual power, two USB)	400		
<b>FOR INTEGRATED TABLES ONLY, CENTER PLACEMENT</b>				
-PP1	Portal Power 1 (one power, one data)	570		
-PP2	Portal Power 2 (dual power)	505		
-PP3	Portal Power 3 (one power, two USB)	600		

**NOTES:**

- Fully upholstered seating models with black plinth base. Refer to page 3 for product details.
- When specifying electrical or overhead LED light fixture, cord exit grommet position must be specified as well as power source location, as applicable.

**SPECIFY:**

1. Model number
2. Upholstery selection
3. Options, as applicable

**ORDERING EXAMPLE:**

#6532-LED2-PB1

60" D Love Seat, Full Canopy  
Upholstery Selection  
Overhead LED Light  
Power Band 1, Seat Placement

CO-OP

designed by qdesign



MODEL NUMBER	PRODUCT SPECIFICATIONS	FABRIC GRADES								
		COM	1	2	3	4	5	6	7	8
<p><b>6532</b></p>	<p><b>60" D Love Seat Booth with Full Canopy</b> W 88<sup>1</sup>/<sub>2</sub> D 60 H 80<sup>1</sup>/<sub>4</sub> Seat Height 18 Inside Seat Width 60 Inside Seat Depth 19 34 yds. 496 lbs. TB 133, add \$1564 List</p>	6919	8705	9152	9907	10663	11384	12139	12860	13616
<p><b>6533</b></p>	<p><b>60" D Love Seat Booth with Open Canopy</b> W 88<sup>1</sup>/<sub>2</sub> D 60 H 80<sup>1</sup>/<sub>4</sub> Seat Height 18 Inside Seat Width 60 Inside Seat Depth 19 32<sup>1</sup>/<sub>4</sub> yds. 470 lbs. TB 133, add \$1484 List</p>	6971	8665	9089	9805	10522	11206	11923	12607	13323
<p><b>6534</b></p>	<p><b>72" D Love Seat Booth with Full Canopy</b> W 88<sup>1</sup>/<sub>2</sub> D 72 H 80<sup>1</sup>/<sub>4</sub> Seat Height 18 Inside Seat Width 60 Inside Seat Depth 19 39 yds. 594 lbs. TB 133, add \$1794 List</p>	8322	10371	10883	11749	12616	13443	14310	15137	16004
<p><b>6535</b></p>	<p><b>72" D Love Seat Booth with Open Canopy</b> W 88<sup>1</sup>/<sub>2</sub> D 72 H 80<sup>1</sup>/<sub>4</sub> Seat Height 18 Inside Seat Width 60 Inside Seat Depth 19 36<sup>1</sup>/<sub>4</sub> yds. 582 lbs. TB 133, add \$1668 List</p>	8267	10171	10647	11453	12258	13027	13833	14601	15407

**OPTIONS**

MODEL	DESCRIPTION	LIST	OPTIONAL ACCESSORIES	PAGE REFERENCE
-MB	Moisture Barrier, Seats Only	178	Shelf	page 27
-LED2	LED Light (two fixtures, full canopy only)	500	Linking Table	page 28
-SB2	Sandbags, Set of 6 (150 lbs. each side)	700	Cantilever Table	page 28
			Storage Cubby	page 29
			Meeting Tables	page 30
<b>FOR PLACEMENT BELOW SEATS</b>				
-PB1	Power Band 1 (one power, two USB)	385		
-PB2	Power Band 2 (dual power)	300		
-PB3	Power Band 3 (dual power, two USB)	400		



**NOTES:**

- Seating models with accent tier. Refer to pages 3-4 for product details.
- Accent tier available in Maple, Walnut and White Oak veneer (-V), laminate (-L) and whiteboard material (-WB). Please specify code for interior and exterior material selections.
- Standard with black plinth base.

- When specifying electrical or over-head LED light fixture, cord exit grommet position must be specified as well as power source location, as applicable.

**SPECIFY:**

1. Model number
2. Accent tier finish, interior
3. Accent tier finish, exterior
4. Upholstery selection
5. Options, as applicable

**ORDERING EXAMPLE:**

**#6533-V-WB-PB3**

60" Love Seat w/Open Canopy Veneer Accent Tier, Interior Whiteboard Accent Tier, Exterior Upholstery Selection Power Band 3, Seat Placement

MODEL NUMBER	PRODUCT SPECIFICATIONS	FABRIC GRADES								
		COM	1	2	3	4	5	6	7	8
<p><b>Specify Interior Material Code, Followed by Exterior Material Code</b>  <b>V = Veneer L = Laminate WB = Whiteboard</b></p>										
<p><b>6532-()</b></p>	<p><b>60" D Love Seat Booth with Full Canopy Non-Upholstered Accent Tier</b>                      W 88<sup>1</sup>/<sub>2</sub> D 60 H 80<sup>1</sup>/<sub>4</sub>                      Seat Height 18                      Inside Seat Width 60                      Inside Seat Depth 19                      30 yds. 506 lbs.                      TB 133, add \$1380 List</p>	8351	9927	10321	10988	11654	12290	12957	13593	14260
<p><b>6533-()</b></p>	<p><b>60" D Love Seat Booth with Open Canopy Non-Upholstered Accent Tier</b>                      W 88<sup>1</sup>/<sub>2</sub> D 60 H 80<sup>1</sup>/<sub>4</sub>                      Seat Height 18                      Inside Seat Width 60                      Inside Seat Depth 19                      28<sup>1</sup>/<sub>4</sub> yds. 480 lbs.                      TB 133, add \$1300 List</p>	8403	9887	10258	10886	11514	12113	12740	13340	13967
<p><b>6534-()</b></p>	<p><b>72" D Love Seat Booth with Full Canopy Non-Upholstered Accent Tier</b>                      W 88<sup>1</sup>/<sub>2</sub> D 72 H 80<sup>1</sup>/<sub>4</sub>                      Seat Height 18                      Inside Seat Width 60                      Inside Seat Depth 19                      34<sup>1</sup>/<sub>2</sub> yds. 604 lbs.                      TB 133, add \$1587 List</p>	9782	11594	12047	12814	13581	14312	15079	15811	16577
<p><b>6535-()</b></p>	<p><b>72" D Love Seat Booth with Open Canopy Non-Upholstered Accent Tier</b>                      W 88<sup>1</sup>/<sub>2</sub> D 72 H 80<sup>1</sup>/<sub>4</sub>                      Seat Height 18                      Inside Seat Width 60                      Inside Seat Depth 19                      31<sup>3</sup>/<sub>4</sub> yds. 592 lbs.                      TB 133, add \$1461 List</p>	9727	11395	11812	12517	13223	13896	14602	15275	15981

**OPTIONS**

MODEL	DESCRIPTION	LIST	OPTIONAL ACCESSORIES	PAGE REFERENCE
-MB	Moisture Barrier, Seats Only	178	Shelf	page 27
-LED2	LED Light (two fixtures, full canopy only)	500	Linking Table	page 28
-SB2	Sandbags, Set of 6 (150 lbs. each side)	700	Cantilever Table	page 28
			Storage Cubby	page 29
			Meeting Tables	page 30
<b>FOR PLACEMENT BELOW SEATS</b>				
-PB1	Power Band 1 (one power, two USB)	385		
-PB2	Power Band 2 (dual power)	300		
-PB3	Power Band 3 (dual power, two USB)	400		

**NOTES:**

- Fully upholstered canopy units with black plinth base. Refer to page 3 for product details.
- **Tables required with stand-alone canopy units and is included with pricing.**
- Table available in Maple, Walnut and White Oak veneer as well as laminate.
- When specifying electrical or overhead LED light fixture, cord exit grommet position must be specified as well as power source location, as applicable.

**SPECIFY:**

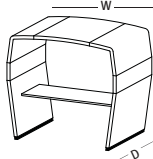
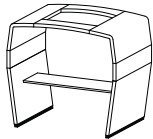
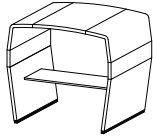
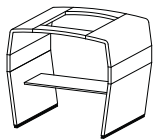
1. Model number
2. Upholstery selection
3. Table wood species
4. Table wood finish
5. Options, as applicable

**ORDERING EXAMPLE:**

**#6543-3029**  
 60" D Open Canopy with  
 30" Wide x 29" H Table  
 Upholstery Selection  
 Table Wood Species  
 Table Wood Finish

**CO-OP**  
 designed by qdesign



MODEL NUMBER	PRODUCT SPECIFICATIONS	FABRIC GRADES									
		TABLE WIDTH	COM	1	2	3	4	5	6	7	8
<b>6542-(TABLE SIZE - SEE BELOW)</b> 	<b>60" D Stand-Alone Full Canopy</b> W 88 <sup>1</sup> / <sub>2</sub> D 60 H 80 <sup>1</sup> / <sub>4</sub> 23 yds. 399 lbs. with 24" wide table 413 lbs. with 30" wide table TB 133, add \$1058 List	24" wide	5585	6793	7095	7607	8118	8605	9116	9604	10115
		30" wide	6046	7254	7556	8068	8579	9066	9577	10065	10576
<b>6543-(TABLE SIZE - SEE BELOW)</b> 	<b>60" D Stand-Alone Open Canopy</b> W 88 <sup>1</sup> / <sub>2</sub> D 60 H 80 <sup>1</sup> / <sub>4</sub> 21 <sup>1</sup> / <sub>4</sub> yds. 373 lbs. with 24" wide table 387 lbs. with 30" wide table TB 133, add \$978 List	24" wide	5637	6754	7033	7505	7977	8428	8900	9351	9823
		30" wide	6098	7215	7494	7966	8438	8889	9361	9812	10284
<b>6544-(TABLE SIZE - SEE BELOW)</b> 	<b>72" D Stand-Alone Full Canopy</b> W 88 <sup>1</sup> / <sub>2</sub> D 72 H 80 <sup>1</sup> / <sub>4</sub> 27 yds. 485 lbs. with 30" wide table 500 lbs. with 36" wide table TB 133, add \$1242 List	30" wide	6773	8192	8546	9146	9746	10319	10919	11491	12091
		36" wide	8227	9646	10000	10600	11200	11773	12373	12945	13545
<b>6545-(TABLE SIZE - SEE BELOW)</b> 	<b>72" D Stand-Alone Open Canopy</b> W 88 <sup>1</sup> / <sub>2</sub> D 72 H 80 <sup>1</sup> / <sub>4</sub> 24 <sup>1</sup> / <sub>4</sub> yds. 449 lbs. with 30" wide table 464 lbs. with 36" wide table TB 133, add \$1116 List	30" wide	6718	7992	8311	8849	9388	9903	10441	10956	11495
		36" wide	6749	8023	8342	8880	9419	9934	10472	10987	11526

**TABLE MODEL NUMBER**

- 2427 (24" wide, 78" long and 27" high - for 60" depth models only)
- 2429 (24" wide, 78<sup>1</sup>/<sub>2</sub>" long and 29" high - for 60" depth models only)
- 2439 (24" wide, 81<sup>1</sup>/<sub>2</sub>" long and 39" high - for 60" depth models only)
- 3027 (30" wide, 78" long and 27" high - for 60" depth or 72" depth models)
- 3029 (30" wide, 78<sup>1</sup>/<sub>2</sub>" long and 29" high - for 60" depth or 72" depth models)
- 3039 (30" wide, 81<sup>1</sup>/<sub>2</sub>" long and 39" high - for 60" depth or 72" depth models)
- 3627 (36" wide, 78" long and 27" high - for 72" depth models only)
- 3629 (36" wide, 78<sup>1</sup>/<sub>2</sub>" long and 29" high - for 72" depth models only)
- 3639 (36" wide, 81<sup>1</sup>/<sub>2</sub>" long and 39" high - for 72" depth models only)

**OPTIONS**

MODEL	DESCRIPTION	LIST	OPTIONAL ACCESSORIES	PAGE REFERENCE
-LED2	LED Light (two fixtures, full canopy only)	500	Shelf	page 27
			Linking Table	page 28
			Cantilever Table	page 28
			Storage Cubby	page 29
<b>FOR TABLE PLACEMENT ONLY</b>				
-PB1	Power Band 1 (one power, two USB)	385		
-PB2	Power Band 2 (dual power)	300		
-PB3	Power Band 3 (dual power, two USB)	400		
-PP1	Portal Power 1 (one power, one data)	570		
-PP2	Portal Power 2 (dual power)	505		
-PP3	Portal Power 3 (one power, two USB)	600		



**NOTES:**

- Canopy units with accent tier and black plinth base. Refer to pages 3-4 for product details.
- Accent tier available in Maple, Walnut and White Oak veneer (-V), laminate (-L) and whiteboard material (-WB). Please specify code for interior and exterior material selections.
- **Table required with stand-alone canopy units and is included with pricing.**
- Table available in Maple, Walnut and White Oak veneer as well as laminate.

- When specifying electrical or over-head LED light fixture, cord exit grommet position must be specified as well as power source location, as applicable.

**SPECIFY:**

1. Model number
2. Accent tier finish, interior
3. Accent tier finish, exterior
4. Upholstery selection
5. Table wood species
6. Table wood finish
7. Options, as applicable

**ORDERING EXAMPLE:**

**#6545-V-V-3039**

72" D Open Canopy with  
30" W x 39" H Table  
Veneer Accent Tier, Interior  
Veneer Accent Tier, Exterior  
Upholstery Selection  
Table Wood Species  
Table Wood Finish

MODEL NUMBER	PRODUCT SPECIFICATIONS	FABRIC GRADES									
		TABLE WIDTH	COM	1	2	3	4	5	6	7	8
<p><b>Specify Interior Material Code, Followed by Exterior Material Code</b>  <b>V = Veneer L = Laminate WB = Whiteboard</b></p>											
<p><b>6542-(-)(-)(TABLE SIZE - SEE BELOW)</b></p>	<p><b>60" D Stand-Alone Full Canopy Non-Upholstered Accent Tier</b>                      W 88<sup>1</sup>/<sub>2</sub> D 60 H 80<sup>1</sup>/<sub>4</sub>                      19 yds.                      409 lbs. with 24" wide table                      423 lbs. with 30" wide table                      TB 133, add \$874 List</p>	24" wide	7017	8015	8265	8687	9109	9512	9934	10337	10760
		30" wide	7478	8476	8726	9148	9570	9973	10395	10798	11221
<p><b>6543-(-)(-)(TABLE SIZE - SEE BELOW)</b></p>	<p><b>60" D Stand-Alone Open Canopy Non-Upholstered Accent Tier</b>                      W 88<sup>1</sup>/<sub>2</sub> D 60 H 80<sup>1</sup>/<sub>4</sub>                      17<sup>1</sup>/<sub>4</sub> yds.                      383 lbs. with 24" wide table                      397 lbs. with 30" wide table                      TB 133, add \$794 List</p>	24" wide	7069	7975	8202	8585	8969	9334	9718	10084	10467
		30" wide	7530	8436	8663	9046	9430	9795	10179	10545	10928
<p><b>6544-(-)(-)(TABLE SIZE - SEE BELOW)</b></p>	<p><b>72" D Stand-Alone Full Canopy Non-Upholstered Accent Tier</b>                      W 88<sup>1</sup>/<sub>2</sub> D 72 H 80<sup>1</sup>/<sub>4</sub>                      22<sup>1</sup>/<sub>2</sub> yds.                      495 lbs. with 30" wide table                      510 lbs. with 36" wide table                      TB 133, add \$1035 List</p>	30" wide	8233	9415	9711	10211	10711	11188	11688	12165	12665
		36" wide	8264	9446	9742	10242	10742	11219	11719	12196	12696
<p><b>6545-(-)(-)(TABLE SIZE - SEE BELOW)</b></p>	<p><b>72" D Stand-Alone Open Canopy Non-Upholstered Accent Tier</b>                      W 88<sup>1</sup>/<sub>2</sub> D 72 H 80<sup>1</sup>/<sub>4</sub>                      19<sup>3</sup>/<sub>4</sub> yds.                      459 lbs. with 30" wide table                      474 lbs. with 36" wide table                      TB 133, add \$909 List</p>	30" wide	8178	9216	9475	9914	10353	10772	11211	11629	12068
		36" wide	8209	9247	9506	9945	10384	10803	11242	11660	12099

**TABLE MODEL NUMBER**

- 2427 (24" wide, 78" long and 27" high - for 60" depth models only)
- 2429 (24" wide, 78<sup>1</sup>/<sub>2</sub>" long and 29" high - for 60" depth models only)
- 2439 (24" wide, 81<sup>1</sup>/<sub>2</sub>" long and 39" high - for 60" depth models only)
- 3027 (30" wide, 78" long and 27" high - for 60" depth or 72" depth models)
- 3029 (30" wide, 78<sup>1</sup>/<sub>2</sub>" long and 29" high - for 60" depth or 72" depth models)
- 3039 (30" wide, 81<sup>1</sup>/<sub>2</sub>" long and 39" high - for 60" depth or 72" depth models)
- 3627 (36" wide, 78" long and 27" high - for 72" depth models only)
- 3629 (36" wide, 78<sup>1</sup>/<sub>2</sub>" long and 29" high - for 72" depth models only)
- 3639 (36" wide, 81<sup>1</sup>/<sub>2</sub>" long and 39" high - for 72" depth models only)

**OPTIONS**

MODEL	DESCRIPTION	LIST	OPTIONAL ACCESSORIES	PAGE REFERENCE
-LED2	LED Light (two fixtures, full canopy only)	500	Shelf Linking Table Cantilever Table Storage Cubby	page 27 page 28 page 28 page 29
	Refer to page 19 for electrical options			

**NOTES:**

- Fully upholstered wall-mount canopy units with, or without suspended table. Refer to page 4 for product details.
- Table available in Maple, Walnut and White Oak veneer as well as laminate.
- Standard with black plinth base.
- When specifying electrical or overhead LED light fixture, cord exit grommet position must be specified as well as power source location, as applicable.

**SPECIFY:**

1. Model number
2. Upholstery selection
3. Table wood species
4. Table wood finish
5. Options, as applicable

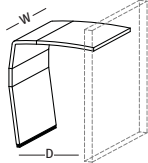
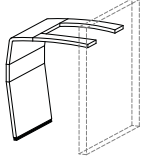
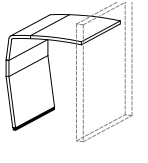
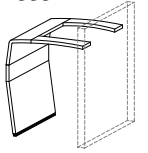
**ORDERING EXAMPLE:**

**#6552-2439**  
 60" W Wall-Mount Full Canopy  
 with 24" W x 39" H Table  
 Upholstery Selection  
 Table Wood Species  
 Table Wood Finish

**CO-OP**

designed by qdesign



MODEL NUMBER	PRODUCT SPECIFICATIONS	FABRIC GRADES								
		COM	1	2	3	4	5	6	7	8
 <p><b>6552</b>                      60" W Wall-Mount Unit with Full Canopy, Panel Only                      W 60 D 66<sup>1</sup>/<sub>4</sub> H 80<sup>1</sup>/<sub>4</sub>                      13<sup>1</sup>/<sub>4</sub> yds. 196 lbs.                      TB 133, add \$610 List</p>	2695	3391	3565	3860	4154	4435	4730	5011	5305	
 <p><b>6553</b>                      60" W Wall-Mount Unit with Open Canopy, Panel Only                      W 60 D 66<sup>1</sup>/<sub>4</sub> H 80<sup>1</sup>/<sub>4</sub>                      11<sup>1</sup>/<sub>2</sub> yds. 170 lbs.                      TB 133, add \$529 List</p>	2752	3356	3507	3763	4019	4262	4518	4762	5017	
 <p><b>6554</b>                      72" W Wall-Mount Unit with Full Canopy, Panel Only                      W 72 D 66<sup>1</sup>/<sub>4</sub> H 80<sup>1</sup>/<sub>4</sub>                      15<sup>3</sup>/<sub>4</sub> yds. 237 lbs.                      TB 133, add \$725 List</p>	3111	3939	4145	4495	4845	5179	5529	5863	6213	
 <p><b>6555</b>                      72" W Wall-Mount Unit with Open Canopy, Panel Only                      W 72 D 66<sup>1</sup>/<sub>4</sub> H 80<sup>1</sup>/<sub>4</sub>                      13 yds. 201 lbs.                      TB 133, add \$598 List</p>	3062	3745	3916	4205	4494	4769	5058	5334	5623	

**OPTIONS**

MODEL	DESCRIPTION	LIST	OPTIONAL ACCESSORIES	PAGE REFERENCE
-2427	24" W x 78" L x 27" H Suspended Table (for 60" W models only)	885	Shelf	page 27
-2429	24" W x 78 <sup>1</sup> / <sub>2</sub> " L x 29" H Suspended Table (for 60" W models only)	885	Linking Table	page 28
-2439	24" W x 81 <sup>1</sup> / <sub>2</sub> " L x 39" H Suspended Table (for 60" W models only)	885	Cantilever Table	page 28
-3027	30" W x 78" L x 27" H Suspended Table (for 60" or 72" W models)	1434	Storage Cubby	page 29
-3029	30" W x 78 <sup>1</sup> / <sub>2</sub> " L x 29" H Suspended Table (for 60" or 72" W models)	1434		
-3039	30" W x 81 <sup>1</sup> / <sub>2</sub> " L x 39" H Suspended Table (for 60" or 72" W models)	1434		
-3627	36" W x 78" L x 27" H Suspended Table (for 72" W models only)	1465		
-3629	36" W x 78 <sup>1</sup> / <sub>2</sub> " L x 29" H Suspended Table (for 72" W models only)	1465		
-3639	36" W x 81 <sup>1</sup> / <sub>2</sub> " L x 39" H Suspended Table (for 72" W models only)	1465		
-LED2	LED Light - only available with addition of suspended table (two fixtures, full canopy only)	500		

**FOR TABLE PLACEMENT ONLY, CENTER PLACEMENT**

-PB1	Power Band 1 (one power, two USB)	385
-PB2	Power Band 2 (dual power)	300
-PB3	Power Band 3 (dual power, two USB)	400
-PP1	Portal Power 1 (one power, one data)	570
-PP2	Portal Power 2 (dual power)	505
-PP3	Portal Power 3 (one power, two USB)	600



**NOTES:**

- Wall-mount canopy units with accent tier and suspended table. Refer to page 4 for product details.
- Accent tier available in Maple, Walnut and White Oak veneer (-V), laminate (-L) and whiteboard material (-WB). Please specify code for interior and exterior material selections.
- Table available in Maple, Walnut and White Oak veneer as well as laminate.
- Standard with black plinth base.

- When specifying electrical or over-head LED light fixture, cord exit grommet position must be specified as well as power source location, as applicable.

**SPECIFY:**

1. Model number
2. Accent tier finish, interior
3. Accent tier finish, exterior
4. Upholstery selection
5. Table wood species
6. Table wood finish
7. Options, as applicable

**ORDERING EXAMPLE:**

**#6553-L-L-2429**

60" W Wall-Mount w/Open Canopy and 24" W x 29" H Table  
 Laminate Accent Tier, Interior  
 Laminate Accent Tier, Exterior  
 Upholstery Selection  
 Table Wood Species  
 Table Wood Finish

MODEL NUMBER	PRODUCT SPECIFICATIONS	FABRIC GRADES								
		COM	1	2	3	4	5	6	7	8
<p><b>Specify Interior Material Code, Followed by Exterior Material Code</b>                      V = Veneer   L = Laminate   WB = Whiteboard</p>										
<p><b>6552-(-)-(-)</b></p>	<p><b>60" W Wall-Mount Unit with Full Canopy and Non-Upholstered Accent Tier, Panel Only</b>                      W 60 D 66<sup>1</sup>/<sub>4</sub> H 80<sup>1</sup>/<sub>4</sub>                      11<sup>1</sup>/<sub>4</sub> yds. 201 lbs.                      TB 133, add \$518 List</p>	3411	4002	4150	4400	4650	4889	5139	5377	5627
<p><b>6553-(-)-(-)</b></p>	<p><b>60" W Wall-Mount Unit with Open Canopy and Non-Upholstered Accent Tier, Panel Only</b>                      W 60 D 66<sup>1</sup>/<sub>4</sub> H 80<sup>1</sup>/<sub>4</sub>                      9<sup>1</sup>/<sub>2</sub> yds. 175 lbs.                      TB 133, add \$437 List</p>	3468	3967	4092	4303	4514	4716	4927	5128	5340
<p><b>6554-(-)-(-)</b></p>	<p><b>72" W Wall-Mount Unit with Full Canopy and Non-Upholstered Accent Tier, Panel Only</b>                      W 72 D 66<sup>1</sup>/<sub>4</sub> H 80<sup>1</sup>/<sub>4</sub>                      13<sup>1</sup>/<sub>2</sub> yds. 242 lbs.                      TB 133, add \$621 List</p>	3841	4551	4728	5028	5328	5614	5914	6200	6500
<p><b>6555-(-)-(-)</b></p>	<p><b>72" W Wall-Mount Unit with Open Canopy and Non-Upholstered Accent Tier, Panel Only</b>                      W 72 D 66<sup>1</sup>/<sub>4</sub> H 80<sup>1</sup>/<sub>4</sub>                      10<sup>3</sup>/<sub>4</sub> yds. 206 lbs.                      TB 133, add \$495 List</p>	3735	4300	4441	4680	4919	5147	5386	5614	5853

**OPTIONS**

MODEL	DESCRIPTION	LIST	OPTIONAL ACCESSORIES	PAGE REFERENCE
-2427	24" W x 78" L x 27" H Suspended Table (for 60" W models only)	885	Shelf	page 27
-2429	24" W x 78 <sup>1</sup> / <sub>2</sub> " L x 29" H Suspended Table (for 60" W models only)	885	Linking Table	page 28
-2439	24" W x 81 <sup>1</sup> / <sub>2</sub> " L x 39" H Suspended Table (for 60" W models only)	885	Cantilever Table	page 28
-3027	30" W x 78" L x 27" H Suspended Table (for 60" or 72" W models)	1434	Storage Cubby	page 29
-3029	30" W x 78 <sup>1</sup> / <sub>2</sub> " L x 29" H Suspended Table (for 60" or 72" W models)	1434		
-3039	30" W x 81 <sup>1</sup> / <sub>2</sub> " L x 39" H Suspended Table (for 60" or 72" W models)	1434		
-3627	36" W x 78" L x 27" H Suspended Table (for 72" W models only)	1465		
-3629	36" W x 78 <sup>1</sup> / <sub>2</sub> " L x 29" H Suspended Table (for 72" W models only)	1465		
-3639	36" W x 81 <sup>1</sup> / <sub>2</sub> " L x 39" H Suspended Table (for 72" W models only)	1465		
-LED2	LED Light - only available with addition of suspended table (two fixtures, full canopy only)	500		

Refer to page 19 for electrical options

**NOTES:**

- Fully upholstered wall-mount unit with love seat. Refer to page 4 for product details.
- Standard with black plinth base.
- When specifying electrical or overhead LED light fixture, cord exit grommet position must be specified as well as power source location, as applicable.

**SPECIFY:**

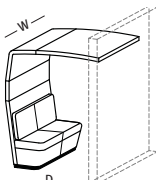
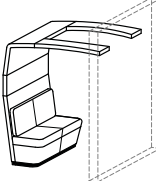
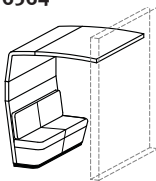
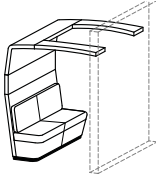
1. Model number
2. Upholstery selection
3. Options, as applicable

**ORDERING EXAMPLE:**

**#6562-LED2**  
 60" W Wall-Mount Love Seat with Full Canopy  
 Upholstery Selection  
 Overhead Light Fixture

**CO-OP**

designed by qdesign

MODEL NUMBER	PRODUCT SPECIFICATIONS	FABRIC GRADES								
		COM	1	2	3	4	5	6	7	8
<p><b>6562</b></p> 	<p><b>60" W Wall-Mount Love Seat Unit with Full Canopy</b>                      W 60 D 66<sup>1</sup>/<sub>4</sub> H 80<sup>1</sup>/<sub>4</sub>                      Seat Height 18                      Inside Seat Width 60                      Inside Seat Depth 19                      18<sup>3</sup>/<sub>4</sub> yds. 273 lbs.                      TB 133, add \$863 List</p>	3843	4828	5074	5491	5908	6305	6722	7120	7536
<p><b>6563</b></p> 	<p><b>60" W Wall-Mount Love Seat Unit with Open Canopy</b>                      W 60 D 66<sup>1</sup>/<sub>4</sub> H 80<sup>1</sup>/<sub>4</sub>                      Seat Height 18                      Inside Seat Width 60                      Inside Seat Depth 19                      17 yds. 247 lbs.                      TB 133, add \$782 List</p>	3900	4793	5017	5394	5772	6133	6510	6871	7249
<p><b>6564</b></p> 	<p><b>72" W Wall-Mount Love Seat Unit with Full Canopy</b>                      W 72 D 66<sup>1</sup>/<sub>4</sub> H 80<sup>1</sup>/<sub>4</sub>                      Seat Height 18                      Inside Seat Width 60                      Inside Seat Depth 19                      21<sup>3</sup>/<sub>4</sub> yds. 332 lbs.                      TB 133, add \$1001 List</p>	4597	5740	6025	6509	6992	7453	7937	8398	8881
<p><b>6565</b></p> 	<p><b>72" W Wall-Mount Love Seat Unit with Open Canopy</b>                      W 72 D 66<sup>1</sup>/<sub>4</sub> H 80<sup>1</sup>/<sub>4</sub>                      Seat Height 18                      Inside Seat Width 60                      Inside Seat Depth 19                      19 yds. 296 lbs.                      TB 133, add \$874 List</p>	4548	5546	5796	6218	6640	7043	7465	7868	8291

**OPTIONS**

MODEL	DESCRIPTION	LIST	OPTIONAL ACCESSORIES	PAGE REFERENCE
-MB	Moisture Barrier, Seat Only	89	Shelf	page 27
-LED2	LED Light (two fixtures, full canopy only)	500	Linking Table	page 28
-SB3	Sandbags, Set of 3 (150 lbs. total)	350	Cantilever Table	page 28
			Storage Cubby	page 29
<b>FOR PLACEMENT BELOW SEATS</b>				
-PB1	Power Band 1 (one power, two USB)	385		
-PB2	Power Band 2 (dual power)	300		
-PB3	Power Band 3 (dual power, two USB)	400		





**NOTES:**

- Fully upholstered wall-mount unit with love seat and accent tier.
- Accent tier available in Maple, Walnut and White Oak veneer (-V), laminate (-L) and whiteboard material (-WB). Please specify code for interior and exterior material selections.
- When specifying electrical or overhead LED light fixture, cord exit grommet position must be specified as well as power source location, as applicable.

**SPECIFY:**

1. Model number
2. Accent tier finish, interior
3. Accent tier finish, exterior
4. Upholstery selection
5. Options, as applicable

**ORDERING EXAMPLE:**

**#6563-V-WB**  
  
60" W Wall-Mount Love Seat with Open Canopy Veneer Accent Tier, Interior Whiteboard Accent Tier, Exterior Upholstery Selection

MODEL NUMBER	PRODUCT SPECIFICATIONS	FABRIC GRADES								
		COM	1	2	3	4	5	6	7	8
<p><b>Specify Interior Material Code, Followed by Exterior Material Code</b>  <b>V = Veneer L = Laminate WB = Whiteboard</b></p>										
<p><b>6562-()-()</b></p>	<p><b>60" W Wall-Mount Love Seat Unit, Full Canopy Non-Upholstered Accent Tier</b>                      W 60 D 66<sup>1</sup>/<sub>4</sub> H 80<sup>1</sup>/<sub>4</sub>                      Seat Height 18                      Inside Seat Width 60                      Inside Seat Depth 19                      16<sup>3</sup>/<sub>4</sub> yds. 278 lbs.                      TB 133, add \$771 List</p>	4559	5439	5659	6031	6404	6759	7131	7486	7858
<p><b>6563-()-()</b></p>	<p><b>60" W Wall-Mount Love Seat Unit, Open Canopy Non-Upholstered Accent Tier</b>                      W 60 D 66<sup>1</sup>/<sub>4</sub> H 80<sup>1</sup>/<sub>4</sub>                      Seat Height 18                      Inside Seat Width 60                      Inside Seat Depth 19                      15 yds. 252 lbs.                      TB 133, add \$690 List</p>	4616	5404	5601	5935	6268	6586	6919	7237	7571
<p><b>6564-()-()</b></p>	<p><b>72" W Wall-Mount Love Seat Unit, Full Canopy Non-Upholstered Accent Tier</b>                      W 72 D 66<sup>1</sup>/<sub>4</sub> H 80<sup>1</sup>/<sub>4</sub>                      Seat Height 18                      Inside Seat Width 60                      Inside Seat Depth 19                      19<sup>1</sup>/<sub>2</sub> yds. 338 lbs.                      TB 133, add \$897 List</p>	5327	6352	6608	7041	7474	7888	8321	8735	9168
<p><b>6565-()-()</b></p>	<p><b>72" W Wall-Mount Love Seat Unit, Open Canopy Non-Upholstered Accent Tier</b>                      W 72 D 66<sup>1</sup>/<sub>4</sub> H 80<sup>1</sup>/<sub>4</sub>                      Seat Height 18                      Inside Seat Width 60                      Inside Seat Depth 19                      16<sup>3</sup>/<sub>4</sub> yds. 302 lbs.                      TB 133, add \$771 List</p>	5278	6158	6378	6750	7123	7478	7850	8205	8577

**OPTIONS**

MODEL	DESCRIPTION	LIST	OPTIONAL ACCESSORIES	PAGE REFERENCE
-MB	Moisture Barrier, Seat Only	89	Shelf	page 27
-LED2	LED Light (two fixtures, full canopy only)	500	Linking Table	page 28
-SB3	Sandbags, Set of 3 (150 lbs. total)	350	Cantilever Table	page 28
			Storage Cubby	page 29

Refer to page 21 for electrical options

**NOTES:**

- Fully upholstered seating units. Refer to page 4 for product details.
- Standard with black plinth base.
- Power units available on front and side of seating units. Positioning must be specified in addition to cord exit grommet placement and power source location, as applicable.

**SPECIFY:**

1. Model number
2. Upholstery selection
3. Options, as applicable

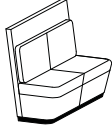

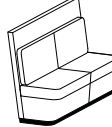

**ORDERING EXAMPLE:**

**#6503-PB1**  
 60" W Private Love Seat  
 Upholstery Selection  
 Power Band 1

**CO-OP**

designed by qdesign



MODEL NUMBER	PRODUCT SPECIFICATIONS	FABRIC GRADES								
		COM	1	2	3	4	5	6	7	8
<b>6502</b> 	<b>60" W Love Seat</b> W 60 D 27 <sup>1</sup> / <sub>4</sub> H 43 <sup>1</sup> / <sub>2</sub> Seat Height 18 Inside Seat Width 60 Inside Seat Depth 19 9 <sup>1</sup> / <sub>4</sub> yds. 162 lbs. TB 133, add \$426 List	2006	2492	2614	2819	3025	3221	3427	3623	3828
<b>6503</b> 	<b>60" W Private Love Seat</b> W 60 D 27 <sup>1</sup> / <sub>4</sub> H 56 <sup>3</sup> / <sub>4</sub> Seat Height 18 Inside Seat Width 60 Inside Seat Depth 19 11 <sup>1</sup> / <sub>4</sub> yds. 183 lbs. TB 133, add \$518 List	2455	3046	3194	3444	3694	3933	4183	4421	4671
<b>6504</b> 	<b>72" W Love Seat</b> W 72 D 27 <sup>1</sup> / <sub>4</sub> H 43 <sup>1</sup> / <sub>2</sub> Seat Height 18 Inside Seat Width 60 Inside Seat Depth 19 10 <sup>1</sup> / <sub>2</sub> yds. 192 lbs. TB 133, add \$483 List	2481	3033	3171	3404	3637	3860	4093	4316	4549
<b>6505</b> 	<b>72" W Private Love Seat</b> W 72 D 27 <sup>1</sup> / <sub>4</sub> H 56 <sup>3</sup> / <sub>4</sub> Seat Height 18 Inside Seat Width 60 Inside Seat Depth 19 12 <sup>3</sup> / <sub>4</sub> yds. 219 lbs. TB 133, add \$587 List	2973	3643	3811	4094	4377	4648	4931	5201	5485

**OPTIONS**

MODEL	DESCRIPTION	LIST	OPTIONAL ACCESSORIES	PAGE REFERENCE
-MB	Moisture Barrier, Seat Only	89	Shelf	page 27
-SB3	Sandbags, Set of 3 (150 lbs. total)	350	Linking Table	page 28
			Cantilever Table	page 28
			Storage Cubby	page 29
<b>FOR PLACEMENT BELOW SEATS</b>				
-PB1	Power Band 1 (one power, two USB)	385		
-PB2	Power Band 2 (dual power)	300		
-PB3	Power Band 3 (dual power, two USB)	400		



**NOTES:**

- Upholstered seating unit with accent tier.
- Accent tier available in Maple, Walnut and White Oak veneer (-V), laminate (-L) and whiteboard material (-WB). Please specify code for interior and exterior material selections.
- Power units available on front and side of seating units. Positioning must be specified in addition to cord exit grommet placement and power source location, as applicable.

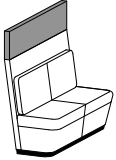
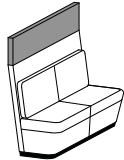
**SPECIFY:**

1. Model number
2. Accent tier finish, interior
3. Accent tier finish, exterior
3. Upholstery selection
4. Options, as applicable

**ORDERING EXAMPLE:**

**#6503-V-L**

60" W Private Love Seat  
Veneer Accent Tier, Interior  
Laminate Accent Tier, Exterior  
Upholstery Selection

MODEL NUMBER	PRODUCT SPECIFICATIONS	FABRIC GRADES								
		COM	1	2	3	4	5	6	7	8
<p><b>Specify Interior Material Code, Followed by Exterior Material Code</b>  <b>V = Veneer L = Laminate WB = Whiteboard</b></p>										
<p><b>6503-()-()</b></p> 	<p><b>60" W Private Love Seat Non-Upholstered Tier</b>                      W 60 D 27<sup>1</sup>/<sub>4</sub> H 56<sup>3</sup>/<sub>4</sub>                      Seat Height 18                      Inside Seat Width 60                      Inside Seat Depth 19                      9<sup>1</sup>/<sub>4</sub> yds. 188 lbs.                      TB 133, add \$426 List</p>	3171	3657	3779	3984	4190	4386	4592	4788	4993
<p><b>6505-()-()</b></p> 	<p><b>72" W Private Love Seat Non-Upholstered Tier</b>                      W 72 D 27<sup>1</sup>/<sub>4</sub> H 56<sup>3</sup>/<sub>4</sub>                      Seat Height 18                      Inside Seat Width 60                      Inside Seat Depth 19                      10<sup>1</sup>/<sub>2</sub> yds. 224 lbs.                      TB 133, add \$483 List</p>	3703	4255	4393	4626	4859	5082	5315	5538	5771

**OPTIONS**

MODEL	DESCRIPTION	LIST	OPTIONAL ACCESSORIES	PAGE REFERENCE
-MB	Moisture Barrier, Seat Only	89	Shelf	page 27
-SB3	Sandbags, Set of 3 (150 lbs. total)	350	Linking Table	page 28
<b>FOR PLACEMENT BELOW SEATS</b>				
-PB1	Power Band 1 (one power, two USB)	385	Cantilever Table	page 28
-PB2	Power Band 2 (dual power)	300	Storage Cubby	page 29
-PB3	Power Band 3 (dual power, two USB)	400		

**NOTES:**

- Shelf available on all 60" and 72" wide/deep models.
- Available in Maple, Walnut and White Oak veneer as well as laminate selections. Refer to page 5 for additional information.
- Shelf support posts available in standard and premium metal finishes. Refer to page 1 for premium colors and additional information on shelf edge details.

**SPECIFY:**

1. Model number
2. Wood species, as applicable
3. Wood finish, as applicable
4. Post finish, as applicable

**ORDERING EXAMPLE:**

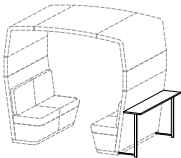
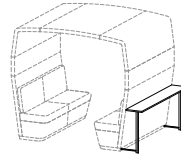
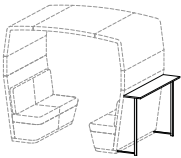
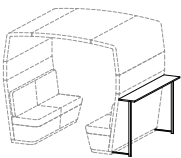
**#65S2-PF2**

30" High Shelf  
Wood Species  
Wood Finish  
Shelf Post Premium Finish

CO-OP

designed by qdesign



MODEL NUMBER	PRODUCT SPECIFICATIONS	VENEER OR LAMINATE
<p><b>65S1-30</b></p> 	<p><b>30" H Shelf for 60" Width/Depth Units</b> L 60 D 12 H 30 36 lbs.</p>	755
<p><b>65S2-30</b></p> 	<p><b>30" H Shelf for 72" Width/Depth Units</b> L 72 D 12 H 30 42 lbs.</p>	771
<p><b>65S1-40</b></p> 	<p><b>40" H Shelf for 60" Width/Depth Units</b> L 60 D 12 H 40 40 lbs.</p>	853
<p><b>65S2-40</b></p> 	<p><b>40" H Shelf for 72" Width/Depth Units</b> L 72 D 12 H 40 46 lbs.</p>	859

**OPTIONS**

MODEL	DESCRIPTION	LIST
-PF2	Premium Finish, Shelf Posts	75

CO-OP

designed by qdesign



**NOTES:**

- Linking and cantilever tables ordered separately.
- Linking table can be mounted between any 60" wide and 72" wide unit. Refer to page 5 for product information.
- Cantilever table can be affixed to any love seat and wall-mount unit. Refer to page 5 for product information.
- Tables available in Maple, Walnut and White Oak veneer as well as laminate.
- Power unit placement and cord exit location must be specified on applicable seating model.

**SPECIFY:**

1. Model number
2. Wood species
3. Wood finish
4. Base finish, as applicable
4. Options, as applicable

**ORDERING EXAMPLE:**

**6580-307239**  
 30 x 72 x 39 Linking Table  
 Wood Species  
 Wood Finish

	MODEL NUMBER	VENEER OR LAMINATE	WEIGHT
<b>LINKING TABLES</b>			
<p><b>29" Table Height</b></p> <p>30" W x 60" L x 29" H                      30" W x 72" L x 29" H                      36" W x 60" L x 29" H                      36" W x 72" L x 29" H</p>	6580-306029	1486	55
	6580-307229	1704	66
	6580-366029	1694	66
	6580-367229	1930	79
	<b>39" Table Height</b>		
<p>30" W x 60" L x 39" H                      30" W x 72" L x 39" H                      36" W x 60" L x 39" H                      36" W x 72" L x 39" H</p>	6580-306039	1486	64
	6580-307239	1704	75
	6580-366039	1694	75
	6580-367239	1930	88
	<b>CANTILEVER TABLES</b>		
<p><b>29" Table Height</b></p> <p>30" W x 60" L x 29" H                      30" W x 72" L x 29" H                      36" W x 60" L x 29" H                      36" W x 72" L x 29" H</p>	6585-306029	2189	101
	6585-307229	2398	112
	6585-366029	2407	112
	6585-367229	2657	125
	<b>39" Table Height</b>		
<p>30" W x 60" L x 39" H                      30" W x 72" L x 39" H                      36" W x 60" L x 39" H                      36" W x 72" L x 39" H</p>	6585-306039	2461	110
	6585-307239	2647	121
	6585-366039	2679	121
	6585-367239	1214	134

**OPTIONS**

MODEL	DESCRIPTION	LIST
-PF6	Premium Finish	100
<b>FOR TABLE PLACEMENT ONLY</b>		
-PB1	Power Band 1 (one power, two USB)	385
-PB2	Power Band 2 (dual power)	300
-PB3	Power Band 3 (dual power, two USB)	400
-PP1	Portal Power 1 (one power, one data)	570
-PP2	Portal Power 2 (dual power)	505
-PP3	Portal Power 3 (one power, two USB)	600

**NOTES:**

- Storage cubby fits between tapered spaces of back-to-back, or side-to-side, love seat models. Refer to page 5 for details.
- Available in Maple, Walnut and White Oak veneer as well as laminate selections.
- Inside clearance, per cubby: 6" wide at the top, 10" wide at the bottom and 14<sup>3</sup>/<sub>4</sub>" high.

**SPECIFY:**

1. Model number
2. Wood species, as applicable
3. Wood finish, as applicable

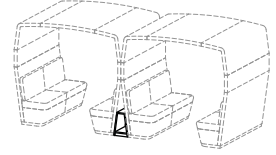
**ORDERING EXAMPLE:**

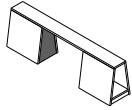
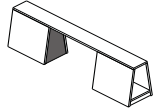
**#6586-60**

60" Length Storage Cubby  
Wood Species  
Wood Finish

**CO-OP**

designed by qdesign



MODEL NUMBER	PRODUCT SPECIFICATIONS	VENEER OR LAMINATE
<p><b>6586-60</b></p> 	<p><b>60" Length Storage Cubby</b> L 60 D 12 H 18 42 lbs.</p>	1214
<p><b>6586-72</b></p> 	<p><b>72" Length Storage Cubby</b> L 72 D 12 H 18 44 lbs.</p>	1237

CO-OP  
designed by qdesign



**NOTES:**

- Stand-alone tables available in Maple, Walnut and White Oak veneer as well as laminate. Refer to page 5 for product details.
- Metal base available in standard and premium finishes.
- Power units not available on free-standing tables.

**SPECIFY:**

1. Model number
2. Wood species, as applicable
3. Wood finish, as applicable
4. Base finish
5. Options, as applicable

**ORDERING EXAMPLE:**

**#6590-306029**  
30 x 60 x 29 Arc Rectangle  
Wood Species  
Wood Finish  
Base Finish

		MODEL NUMBER	VENEER OR LAMINATE	COLUMN DIMENSION	BASE DIMENSION	WEIGHT
	<b>Arc Square Top, 27" Height</b>					
	36" W x 36" L x 27" H	6590-363627	1851	4 <sup>3</sup> / <sub>4</sub> x 4 <sup>3</sup> / <sub>4</sub>	22 x 22	77
	42" W x 42" L x 27" H	6590-424227	2088	4 <sup>3</sup> / <sub>4</sub> x 4 <sup>3</sup> / <sub>4</sub>	22 x 22	91
	48" W x 48" L x 27" H	6590-484827	2354	4 <sup>3</sup> / <sub>4</sub> x 4 <sup>3</sup> / <sub>4</sub>	22 x 22	107
	<b>Arc Square Top, 29" Height</b>					
	36" W x 36" L x 29" H	6590-363629	1865	4 <sup>3</sup> / <sub>4</sub> x 4 <sup>3</sup> / <sub>4</sub>	22 x 22	86
	42" W x 42" L x 29" H	6590-424229	2102	4 <sup>3</sup> / <sub>4</sub> x 4 <sup>3</sup> / <sub>4</sub>	22 x 22	100
	48" W x 48" L x 29" H	6590-484829	2368	4 <sup>3</sup> / <sub>4</sub> x 4 <sup>3</sup> / <sub>4</sub>	22 x 22	116
	<b>Arc Square Top, 39" Height</b>					
	36" W x 36" L x 39" H	6590-363639	2137	4 <sup>3</sup> / <sub>4</sub> x 4 <sup>3</sup> / <sub>4</sub>	22 x 22	95
	42" W x 42" L x 39" H	6590-424239	2374	4 <sup>3</sup> / <sub>4</sub> x 4 <sup>3</sup> / <sub>4</sub>	22 x 22	109
	<b>Arc Rectangle Top, 27" Height</b>					
	30" W x 60" L x 27" H	6590-306027	2863	4 <sup>3</sup> / <sub>4</sub> x 4 <sup>3</sup> / <sub>4</sub>	18 x 18	135
	30" W x 72" L x 27" H	6590-307227	3083	4 <sup>3</sup> / <sub>4</sub> x 4 <sup>3</sup> / <sub>4</sub>	18 x 18	146
	36" W x 60" L x 27" H	6590-366027	3064	4 <sup>3</sup> / <sub>4</sub> x 4 <sup>3</sup> / <sub>4</sub>	18 x 18	146
	36" W x 72" L x 27" H	6590-367227	3311	4 <sup>3</sup> / <sub>4</sub> x 4 <sup>3</sup> / <sub>4</sub>	18 x 18	159
	42" W x 84" L x 27" H	6590-428427	3640	4 <sup>3</sup> / <sub>4</sub> x 4 <sup>3</sup> / <sub>4</sub>	18 x 18	188
	<b>Arc Rectangle Top, 29" Height</b>					
	30" W x 60" L x 29" H	6590-306029	2911	4 <sup>3</sup> / <sub>4</sub> x 4 <sup>3</sup> / <sub>4</sub>	18 x 18	147
	30" W x 72" L x 29" H	6590-307229	3090	4 <sup>3</sup> / <sub>4</sub> x 4 <sup>3</sup> / <sub>4</sub>	18 x 18	158
	36" W x 60" L x 29" H	6590-366029	3088	4 <sup>3</sup> / <sub>4</sub> x 4 <sup>3</sup> / <sub>4</sub>	18 x 18	158
	36" W x 72" L x 29" H	6590-367229	3317	4 <sup>3</sup> / <sub>4</sub> x 4 <sup>3</sup> / <sub>4</sub>	18 x 18	171
	42" W x 84" L x 29" H	6590-428429	3647	4 <sup>3</sup> / <sub>4</sub> x 4 <sup>3</sup> / <sub>4</sub>	18 x 18	200

**OPTIONS**

MODEL	DESCRIPTION	LIST
-PF6	Premium Finish, 1 Base	100
-PF8	Premium Finish, 2 Bases	200

**NOTES:**

- Stand-alone tables available in Maple, Walnut and White Oak veneer as well as laminate. Refer to page 5 for product details.
- Metal base available in standard and premium finishes.
- Power units not available on free-standing tables.

**SPECIFY:**

1. Model number
2. Wood species, as applicable
3. Wood finish, as applicable
4. Base finish
5. Options, as applicable

**ORDERING EXAMPLE:**

**#6590-246027**

24 x 60 x 27 Rectilinear Top  
Wood Species  
Wood Finish  
Base Finish

**CO-OP**

designed by qdesign



		MODEL NUMBER	VENEER OR LAMINATE	COLUMN DIMENSION	BASE DIMENSION	WEIGHT
	<b>Arc Rectangle Top, 39" Table Height</b>					
	30" W x 60" L x 39" H	6590-306039	3215	4 <sup>3</sup> / <sub>4</sub> x 4 <sup>3</sup> / <sub>4</sub>	18 x 18	162
	30" W x 72" L x 39" H	6590-307239	3400	4 <sup>3</sup> / <sub>4</sub> x 4 <sup>3</sup> / <sub>4</sub>	18 x 18	173
	36" W x 60" L x 39" H	6590-366039	3432	4 <sup>3</sup> / <sub>4</sub> x 4 <sup>3</sup> / <sub>4</sub>	18 x 18	173
	36" W x 72" L x 39" H	6590-367239	3658	4 <sup>3</sup> / <sub>4</sub> x 4 <sup>3</sup> / <sub>4</sub>	18 x 18	186
42" W x 84" L x 39" H	6590-428439	3958	4 <sup>3</sup> / <sub>4</sub> x 4 <sup>3</sup> / <sub>4</sub>	18 x 18	215	
	<b>Rectilinear Top, 27" Table Height</b>					
	24" W x 60" L x 27" H	6591-246027	2614	4 <sup>3</sup> / <sub>4</sub> x 4 <sup>3</sup> / <sub>4</sub>	18 x 18	89
	24" W x 72" L x 27" H	6591-247227	2805	4 <sup>3</sup> / <sub>4</sub> x 4 <sup>3</sup> / <sub>4</sub>	18 x 18	98
24" W x 84" L x 27" H	6591-248427	2995	4 <sup>3</sup> / <sub>4</sub> x 4 <sup>3</sup> / <sub>4</sub>	18 x 18	106	
	<b>Rectilinear Top, 29" Table Height</b>					
	24" W x 60" L x 29" H	6591-246029	2621	4 <sup>3</sup> / <sub>4</sub> x 4 <sup>3</sup> / <sub>4</sub>	18 x 18	98
	24" W x 72" L x 29" H	6591-247229	2812	4 <sup>3</sup> / <sub>4</sub> x 4 <sup>3</sup> / <sub>4</sub>	18 x 18	107
24" W x 84" L x 29" H	6591-248429	3002	4 <sup>3</sup> / <sub>4</sub> x 4 <sup>3</sup> / <sub>4</sub>	18 x 18	115	
	<b>Rectilinear Top, 39" Table Height</b>					
	24" W x 60" L x 39" H	6591-246039	2966	4 <sup>3</sup> / <sub>4</sub> x 4 <sup>3</sup> / <sub>4</sub>	18 x 18	110
	24" W x 72" L x 39" H	6591-247239	3156	4 <sup>3</sup> / <sub>4</sub> x 4 <sup>3</sup> / <sub>4</sub>	18 x 18	119
24" W x 84" L x 39" H	6591-248439	3347	4 <sup>3</sup> / <sub>4</sub> x 4 <sup>3</sup> / <sub>4</sub>	18 x 18	127	

**OPTIONS**

MODEL	DESCRIPTION	LIST
-PF6	Premium Finish, 1 Base	100
-PF8	Premium Finish, 2 Bases	200

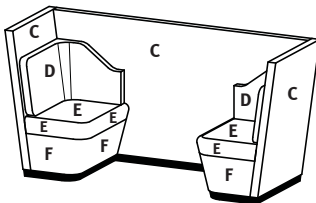




**MULTI-TONE UPHOLSTERY COMBINATIONS:**

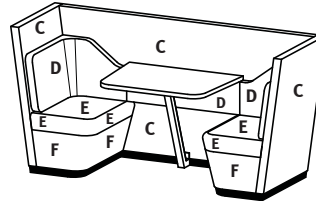
For upholstery fabric, panel fabric and/or vinyl combinations, refer to the pricing below:

- When combining **two** fabrics, add \$125 List per unit.
  - When combining **three** fabrics, add \$175 List per unit.
  - When combining **four or more** fabrics, add \$250 List per unit.
  - Excluding the back and seat cushions, fabric upholstery will always be railroaded.
  - For multiple seating models, please contact Customer Service for assistance with exact yardage requirements.
- Note: Yardage amounts are based on fabric which is plain (i.e. non-directional), a full 54" wide and railroaded.



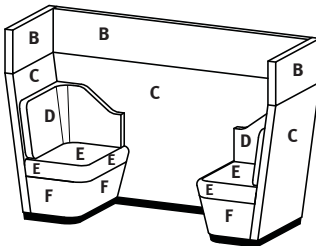
**Public Lounge Unit**

Model	Location	COM Requirement
6510	C	Back Panel = 9 <sup>1</sup> / <sub>4</sub> yds.
	D	Back Cushion = 2 yds.
	E	Seat Cushion Top = 2 yds.
	F	Seat Cushion Bottom = 2 yds.



**Public Lounge Unit with Integrated Table**

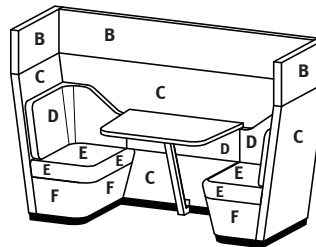
Model	Location	COM Requirement
6510-65TS	C	Back Panel = 9 <sup>1</sup> / <sub>4</sub> yds.
	D	Back Cushion = 2 yds.
	E	Seat Cushion Top = 2 yds.
	F	Seat Cushion Bottom = 2 yds.



**Private Lounge Unit**

Model	Location	COM Requirement
6511	B	Upholstered Accent Tier = 4 <sup>3</sup> / <sub>4</sub> yds.
	C	Back Panel = 9 <sup>1</sup> / <sub>4</sub> yds.
	D	Back Cushion = 2 yds.
	E	Seat Cushion Top = 2 yds.
	F	Seat Cushion Bottom = 2 yds.

Also applicable to models with veneer, laminate or whiteboard material as accent tier (B).



**Private Lounge Unit with Integrated Table**

Model	Location	COM Requirement
6511-65TS	B	Upholstered Accent Tier = 4 <sup>3</sup> / <sub>4</sub> yds.
	C	Back Panel = 9 <sup>1</sup> / <sub>4</sub> yds.
	D	Back Cushion = 2 yds.
	E	Seat Cushion Top = 2 yds.
	F	Seat Cushion Bottom = 2 yds.

Also applicable to models with veneer, laminate or whiteboard material as accent tier (B).

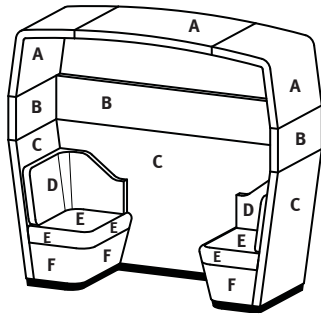
**MULTI-TONE UPHOLSTERY COMBINATIONS:**

For upholstery fabric, panel fabric and/or vinyl combinations, refer to the pricing below:

- When combining **two** fabrics, add \$125 List per unit.
  - When combining **three** fabrics, add \$175 List per unit.
  - When combining **four or more** fabrics, add \$250 List per unit.
  - Excluding the back and seat cushions, fabric upholstery will always be railroaded.
  - **Canopy not available with polyurethane or vinyl upholstery.**
- For multiple seating models, please contact Customer Service for assistance with exact yardage requirements.
  - Note: Yardage amounts are based on fabric which is plain (i.e. non-directional), a full 54" wide and railroaded.

CO-OP

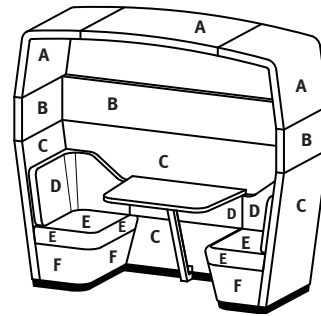
designed by qdesign



**Private Lounge Unit with Full Canopy**

Model	Location	COM Requirement
6512	A	Canopy = 5 <sup>1</sup> / <sub>2</sub> yds.
	B	Upholstered Accent Tier = 4 <sup>3</sup> / <sub>4</sub> yds.
	C	Back Panel = 9 <sup>1</sup> / <sub>4</sub> yds.
	D	Back Cushion = 2 yds.
	E	Seat Cushion Top = 2 yds.
	F	Seat Cushion Bottom = 2 yds.

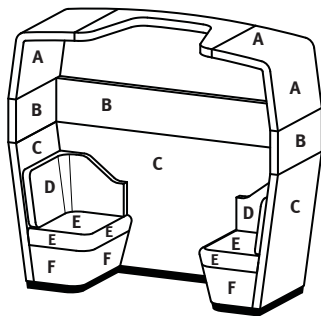
Also applicable to models with veneer, laminate or whiteboard material as accent tier (B).



**Private Lounge Unit with Full Canopy and Integrated Table**

Model	Location	COM Requirement
6512-65TS	A	Canopy = 5 <sup>1</sup> / <sub>2</sub> yds.
	B	Upholstered Accent Tier = 4 <sup>3</sup> / <sub>4</sub> yds.
	C	Back Panel = 9 <sup>1</sup> / <sub>4</sub> yds.
	D	Back Cushion = 2 yds.
	E	Seat Cushion Top = 2 yds.
	F	Seat Cushion Bottom = 2 yds.

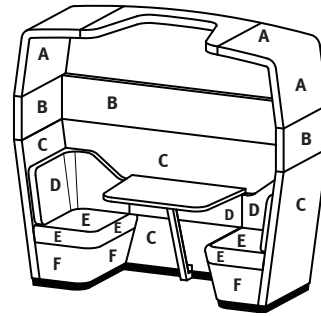
Also applicable to models with veneer, laminate or whiteboard material as accent tier (B).



**Private Lounge Unit with Partial Canopy**

Model	Location	COM Requirement
6513	A	Canopy = 5 yds.
	B	Upholstered Accent Tier = 4 <sup>3</sup> / <sub>4</sub> yds.
	C	Back Panel = 9 <sup>1</sup> / <sub>4</sub> yds.
	D	Back Cushion = 2 yds.
	E	Seat Cushion Top = 2 yds.
	F	Seat Cushion Bottom = 2 yds.

Also applicable to models with veneer, laminate or whiteboard material as accent tier (B).



**Private Lounge Unit with Partial Canopy and Integrated Table**

Model	Location	COM Requirement
6513-65TS	A	Canopy = 5 yds.
	B	Upholstered Accent Tier = 4 <sup>3</sup> / <sub>4</sub> yds.
	C	Back Panel = 9 <sup>1</sup> / <sub>4</sub> yds.
	D	Back Cushion = 2 yds.
	E	Seat Cushion Top = 2 yds.
	F	Seat Cushion Bottom = 2 yds.

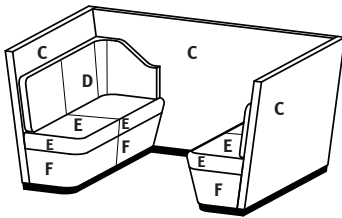
Also applicable to models with veneer, laminate or whiteboard material as accent tier (B).



**MULTI-TONE UPHOLSTERY COMBINATIONS:**

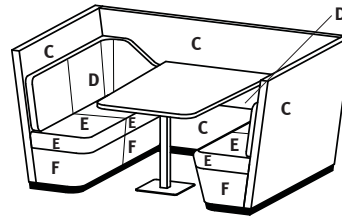
For upholstery fabric, panel fabric and/or vinyl combinations, refer to the pricing below:

- When combining **two** fabrics, add \$125 List per unit.
  - When combining **three** fabrics, add \$175 List per unit.
  - When combining **four or more** fabrics, add \$250 List per unit.
  - Excluding the back and seat cushions, fabric upholstery will always be railroaded.
  - For multiple seating models, please contact Customer Service for assistance with exact yardage requirements.
- Note: Yardage amounts are based on fabric which is plain (i.e. non-directional), a full 54" wide and railroaded.



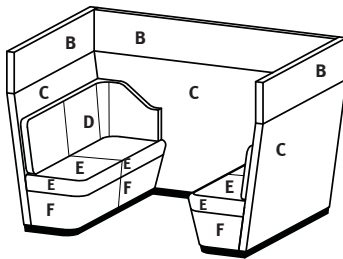
**Public Love Seat Unit**

Model	Location	COM Requirement
6520	C	Back Panel = 13 <sup>1</sup> / <sub>4</sub> yds.
	D	Back Cushion = 3 yds.
	E	Seat Cushion Top = 3 <sup>1</sup> / <sub>2</sub> yds.
	F	Seat Cushion Bottom = 3 <sup>1</sup> / <sub>2</sub> yds.



**Public Love Seat Unit with Integrated Table**

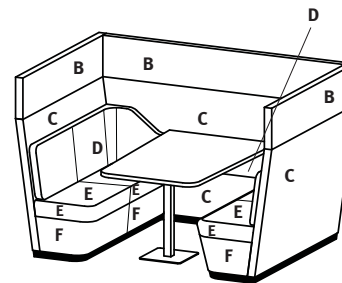
Model	Location	COM Requirement
6520-65TL	C	Back Panel = 13 <sup>1</sup> / <sub>4</sub> yds.
	D	Back Cushion = 3 yds.
	E	Seat Cushion Top = 3 <sup>1</sup> / <sub>2</sub> yds.
	F	Seat Cushion Bottom = 3 <sup>1</sup> / <sub>2</sub> yds.



**Private Love Seat Unit**

Model	Location	COM Requirement
6521	B	Upholstered Accent Tier = 6 <sup>3</sup> / <sub>4</sub> yds.
	C	Back Panel = 13 <sup>1</sup> / <sub>4</sub> yds.
	D	Back Cushion = 3 yds.
	E	Seat Cushion Top = 3 <sup>1</sup> / <sub>2</sub> yds.
	F	Seat Cushion Bottom = 3 <sup>1</sup> / <sub>2</sub> yds.

Also applicable to models with veneer, laminate or whiteboard material as accent tier (B).



**Private Love Seat Unit with Integrated Table**

Model	Location	COM Requirement
6521-65TL	B	Upholstered Accent Tier = 6 <sup>3</sup> / <sub>4</sub> yds.
	C	Back Panel = 13 <sup>1</sup> / <sub>4</sub> yds.
	D	Back Cushion = 3 yds.
	E	Seat Cushion Top = 3 <sup>1</sup> / <sub>2</sub> yds.
	F	Seat Cushion Bottom = 3 <sup>1</sup> / <sub>2</sub> yds.

Also applicable to models with veneer, laminate or whiteboard material as accent tier (B).

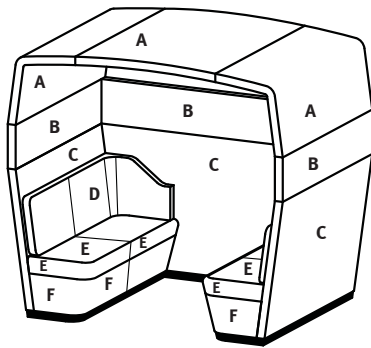
**MULTI-TONE UPHOLSTERY COMBINATIONS:**

For upholstery fabric, panel fabric and/or vinyl combinations, refer to the pricing below:

- When combining **two** fabrics, add \$125 List per unit.
  - When combining **three** fabrics, add \$175 List per unit.
  - When combining **four or more** fabrics, add \$250 List per unit.
  - Excluding the back and seat cushions, fabric upholstery will always be railroaded.
  - **Canopy not available with polyurethane or vinyl upholstery.**
- For multiple seating models, please contact Customer Service for assistance with exact yardage requirements.
  - Note: Yardage amounts are based on fabric which is plain (i.e. non-directional), a full 54" wide and railroaded.

CO-OP

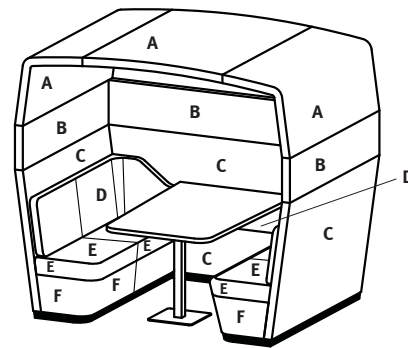
designed by qdesign



**Private Love Seat Unit with Full Canopy**

Model	Location	COM Requirement
6522	A	Canopy = 11 <sup>1</sup> / <sub>2</sub> yds.
	B	Upholstered Accent Tier = 6 <sup>3</sup> / <sub>4</sub> yds.
	C	Back Panel = 13 <sup>1</sup> / <sub>4</sub> yds.
	D	Back Cushion = 3 yds.
	E	Seat Cushion Top = 3 <sup>1</sup> / <sub>2</sub> yds.
	F	Seat Cushion Bottom = 3 <sup>1</sup> / <sub>2</sub> yds.

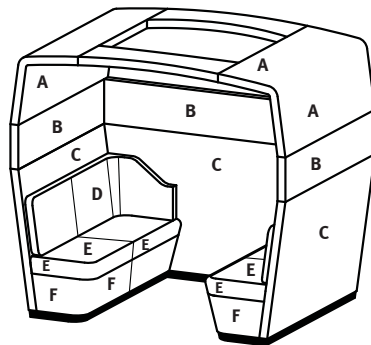
Also applicable to models with veneer, laminate or whiteboard material as accent tier (B).



**Private Love Seat Unit with Full Canopy and Integrated Table**

Model	Location	COM Requirement
6522-65TL	A	Canopy = 11 <sup>1</sup> / <sub>2</sub> yds.
	B	Upholstered Accent Tier = 6 <sup>3</sup> / <sub>4</sub> yds.
	C	Back Panel = 13 <sup>1</sup> / <sub>4</sub> yds.
	D	Back Cushion = 3 yds.
	E	Seat Cushion Top = 3 <sup>1</sup> / <sub>2</sub> yds.
	F	Seat Cushion Bottom = 3 <sup>1</sup> / <sub>2</sub> yds.

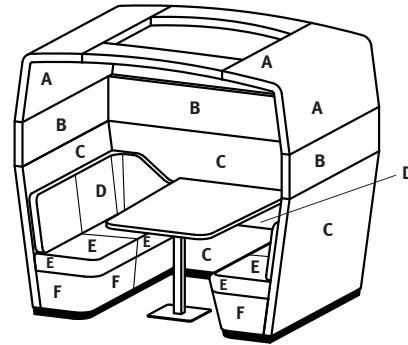
Also applicable to models with veneer, laminate or whiteboard material as accent tier (B).



**Private Love Seat Unit with Open Canopy**

Model	Location	COM Requirement
6523	A	Canopy = 9 <sup>3</sup> / <sub>4</sub> yds.
	B	Upholstered Accent Tier = 6 <sup>3</sup> / <sub>4</sub> yds.
	C	Back Panel = 13 <sup>1</sup> / <sub>4</sub> yds.
	D	Back Cushion = 3 yds.
	E	Seat Cushion Top = 3 <sup>1</sup> / <sub>2</sub> yds.
	F	Seat Cushion Bottom = 3 <sup>1</sup> / <sub>2</sub> yds.

Also applicable to models with veneer, laminate or whiteboard material as accent tier (B).



**Private Love Seat Unit with Open Canopy and Integrated Table**

Model	Location	COM Requirement
6523-65TL	A	Canopy = 9 <sup>3</sup> / <sub>4</sub> yds.
	B	Upholstered Accent Tier = 6 <sup>3</sup> / <sub>4</sub> yds.
	C	Back Panel = 13 <sup>1</sup> / <sub>4</sub> yds.
	D	Back Cushion = 3 yds.
	E	Seat Cushion Top = 3 <sup>1</sup> / <sub>2</sub> yds.
	F	Seat Cushion Bottom = 3 <sup>1</sup> / <sub>2</sub> yds.

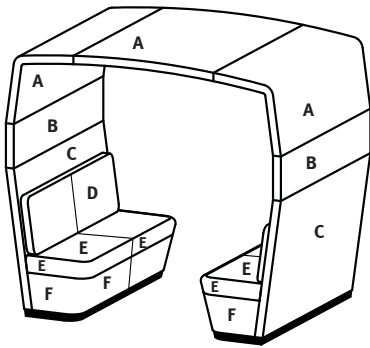
Also applicable to models with veneer, laminate or whiteboard material as accent tier (B).



**MULTI-TONE UPHOLSTERY COMBINATIONS:**

For upholstery fabric, panel fabric and/or vinyl combinations, refer to the pricing below:

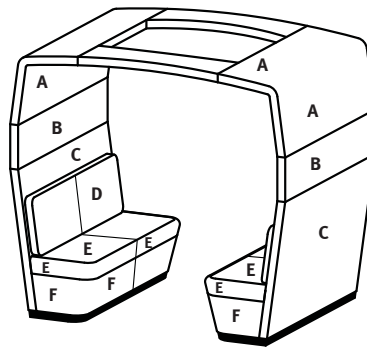
- When combining **two** fabrics, add \$125 List per unit.
- When combining **three** fabrics, add \$175 List per unit.
- When combining **four or more** fabrics, add \$250 List per unit.
- Excluding the back and seat cushions, fabric upholstery will always be railroaded.
- **Canopy not available with polyurethane or vinyl upholstery.**
- For multiple seating models, please contact Customer Service for assistance with exact yardage requirements.
- Note: Yardage amounts are based on fabric which is plain (i.e. non-directional), a full 54" wide and railroaded.



**60" Depth Love Seat Booth with Full Canopy**

Model	Location	COM Requirement
6532	A	Canopy = 11 <sup>1</sup> / <sub>2</sub> yds.
	B	Upholstered Accent Tier = 4 yds.
	C	Back Panel = 8 yds.
	D	Back Cushion = 3 <sup>1</sup> / <sub>2</sub> yds.
	E	Seat Cushion Top = 3 <sup>1</sup> / <sub>2</sub> yds.
	F	Seat Cushion Bottom = 3 <sup>1</sup> / <sub>2</sub> yds.

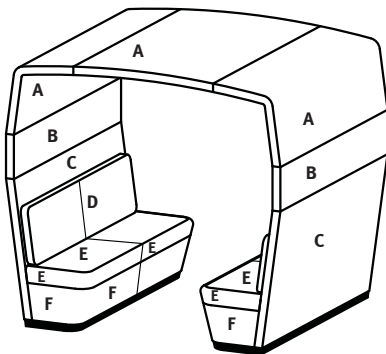
Also applicable to models with veneer, laminate or whiteboard material as accent tier (B).



**60" Depth Love Seat Booth with Open Canopy**

Model	Location	COM Requirement
6533	A	Canopy = 9 <sup>3</sup> / <sub>4</sub> yds.
	B	Upholstered Accent Tier = 4 yds.
	C	Back Panel = 8 yds.
	D	Back Cushion = 3 <sup>1</sup> / <sub>2</sub> yds.
	E	Seat Cushion Top = 3 <sup>1</sup> / <sub>2</sub> yds.
	F	Seat Cushion Bottom = 3 <sup>1</sup> / <sub>2</sub> yds.

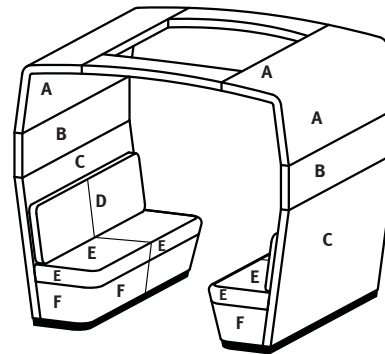
Also applicable to models with veneer, laminate or whiteboard material as accent tier (B).



**72" Depth Love Seat Booth with Full Canopy**

Model	Location	COM Requirement
6534	A	Canopy = 13 <sup>1</sup> / <sub>2</sub> yds.
	B	Upholstered Accent Tier = 4 <sup>1</sup> / <sub>2</sub> yds.
	C	Back Panel = 9 yds.
	D	Back Cushion = 4 yds.
	E	Seat Cushion Top = 4 yds.
	F	Seat Cushion Bottom = 4 yds.

Also applicable to models with veneer, laminate or whiteboard material as accent tier (B).



**72" Depth Love Seat Booth with Open Canopy**

Model	Location	COM Requirement
6535	A	Canopy = 10 <sup>3</sup> / <sub>4</sub> yds.
	B	Upholstered Accent Tier = 4 <sup>1</sup> / <sub>2</sub> yds.
	C	Back Panel = 9 yds.
	D	Back Cushion = 4 yds.
	E	Seat Cushion Top = 4 yds.
	F	Seat Cushion Bottom = 4 yds.

Also applicable to models with veneer, laminate or whiteboard material as accent tier (B).

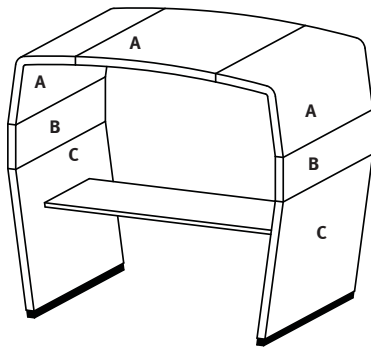
**MULTI-TONE UPHOLSTERY COMBINATIONS:**

For upholstery fabric, panel fabric and/or vinyl combinations, refer to the pricing below:

- When combining **two** fabrics, add \$125 List per unit.
  - When combining **three** fabrics, add \$175 List per unit.
  - When combining **four or more** fabrics, add \$250 List per unit.
  - Fabric upholstery will always be railroaded.
  - **Canopy not available with polyurethane or vinyl upholstery.**
- For multiple seating models, please contact Customer Service for assistance with exact yardage requirements.
  - Note: Yardage amounts are based on fabric which is plain (i.e. non-directional), a full 54" wide and railroaded.

CO-OP

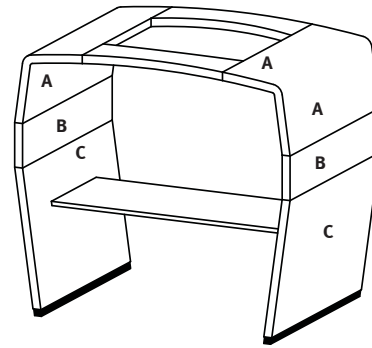
designed by qdesign



**60" Depth Stand-Alone Full Canopy**

Model	Location	COM Requirement
6542 with	A	Canopy = 11 <sup>1</sup> / <sub>2</sub> yds.
all table	B	Upholstered Accent Tier = 4 yds.
sizes	C	Back Panel = 7 <sup>1</sup> / <sub>2</sub> yds.

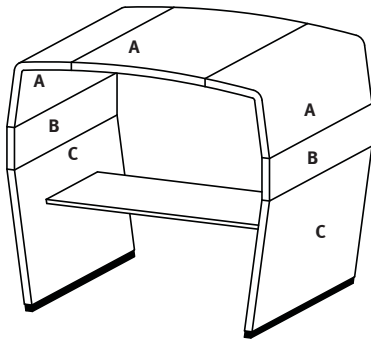
Also applicable to models with veneer, laminate or whiteboard material as accent tier (B).



**60" Depth Stand-Alone Open Canopy**

Model	Location	COM Requirement
6543 with	A	Canopy = 9 <sup>3</sup> / <sub>4</sub> yds.
all table	B	Upholstered Accent Tier = 4 yds.
sizes	C	Back Panel = 7 <sup>1</sup> / <sub>2</sub> yds.

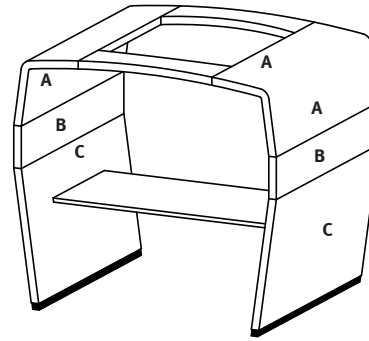
Also applicable to models with veneer, laminate or whiteboard material as accent tier (B).



**72" Depth Stand-Alone Full Canopy**

Model	Location	COM Requirement
6544 with	A	Canopy = 13 <sup>1</sup> / <sub>2</sub> yds.
all table	B	Upholstered Accent Tier = 4 <sup>1</sup> / <sub>2</sub> yds.
sizes	C	Back Panel = 9 yds.

Also applicable to models with veneer, laminate or whiteboard material as accent tier (B).



**72" Depth Stand-Alone Open Canopy**

Model	Location	COM Requirement
6545 with	A	Canopy = 10 <sup>3</sup> / <sub>4</sub> yds.
all table	B	Upholstered Accent Tier = 4 <sup>1</sup> / <sub>2</sub> yds.
sizes	C	Back Panel = 9 yds.

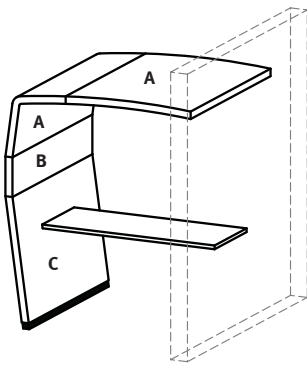
Also applicable to models with veneer, laminate or whiteboard material as accent tier (B).



**MULTI-TONE UPHOLSTERY COMBINATIONS:**

For upholstery fabric, panel fabric and/or vinyl combinations, refer to the pricing below:

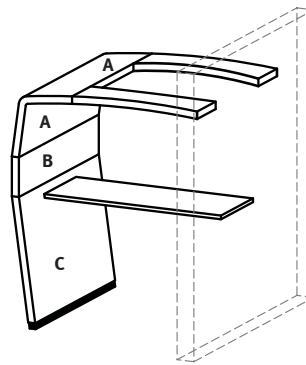
- When combining **two** fabrics, add \$125 List per unit.
- When combining **three** fabrics, add \$175 List per unit.
- When combining **four or more** fabrics, add \$250 List per unit.
- Fabric upholstery will always be railroaded.
- **Canopy not available with polyurethane or vinyl upholstery.**
- For multiple seating models, please contact Customer Service for assistance with exact yardage requirements.
- Note: Yardage amounts are based on fabric which is plain (i.e. non-directional), a full 54" wide and railroaded.



**60" Wide Wall-Mount Unit with Full Canopy**

Model	Location	COM Requirement
6552 and with all table sizes	A	Canopy = 7 <sup>1</sup> / <sub>2</sub> yds.
	B	Upholstered Accent Tier = 2 yds.
	C	Back Panel = 3 <sup>3</sup> / <sub>4</sub> yds.

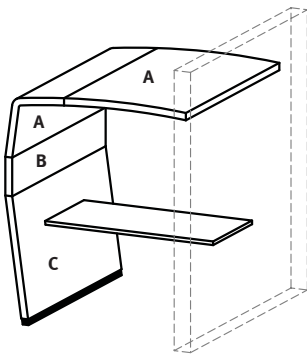
Also applicable to models with veneer, laminate or whiteboard material as accent tier (B).



**60" Wide Wall-Mount Unit with Open Canopy**

Model	Location	COM Requirement
6553 and with all table sizes	A	Canopy = 5 <sup>3</sup> / <sub>4</sub> yds.
	B	Upholstered Accent Tier = 2 yds.
	C	Back Panel = 3 <sup>3</sup> / <sub>4</sub> yds.

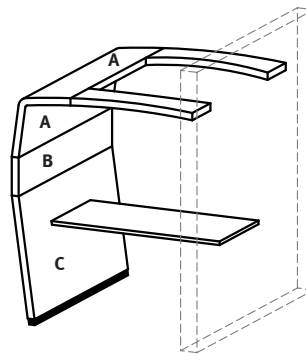
Also applicable to models with veneer, laminate or whiteboard material as accent tier (B).



**72" Wide Wall-Mount Unit with Full Canopy**

Model	Location	COM Requirement
6554 and with all table sizes	A	Canopy = 9 yds.
	B	Upholstered Accent Tier = 2 <sup>1</sup> / <sub>4</sub> yds.
	C	Back Panel = 4 <sup>1</sup> / <sub>2</sub> yds.

Also applicable to models with veneer, laminate or whiteboard material as accent tier (B).



**72" Wide Wall-Mount Unit with Open Canopy**

Model	Location	COM Requirement
6555 and with all table sizes	A	Canopy = 6 <sup>1</sup> / <sub>4</sub> yds.
	B	Upholstered Accent Tier = 2 <sup>1</sup> / <sub>4</sub> yds.
	C	Back Panel = 4 <sup>1</sup> / <sub>2</sub> yds.

Also applicable to models with veneer, laminate or whiteboard material as accent tier (B).

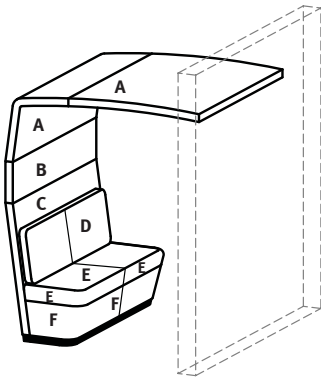
**MULTI-TONE UPHOLSTERY COMBINATIONS:**

For upholstery fabric, panel fabric and/or vinyl combinations, refer to the pricing below:

- When combining **two** fabrics, add \$125 List per unit.
  - When combining **three** fabrics, add \$175 List per unit.
  - When combining **four or more** fabrics, add \$250 List per unit.
  - Excluding the back and seat cushions, fabric upholstery will always be railroaded.
  - **Canopy not available with polyurethane or vinyl upholstery.**
- For multiple seating models, please contact Customer Service for assistance with exact yardage requirements.
  - Note: Yardage amounts are based on fabric which is plain (i.e. non-directional), a full 54" wide and railroaded.

CO-OP

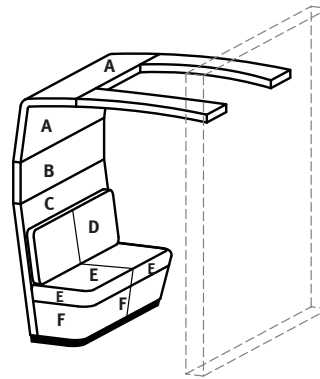
designed by qdesign



**60" Wide Wall-Mount Love Seat Unit with Full Canopy**

Model	Location	COM Requirement
6562	A	Canopy = 7 <sup>1</sup> / <sub>2</sub> yds.
	B	Upholstered Accent Tier = 2 yds.
	C	Back Panel = 4 yds.
	D	Back Cushion = 1 <sup>3</sup> / <sub>4</sub> yds.
	E	Seat Cushion Top = 1 <sup>3</sup> / <sub>4</sub> yds.
	F	Seat Cushion Bottom = 1 <sup>3</sup> / <sub>4</sub> yds.

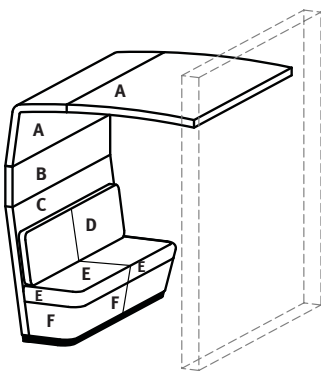
Also applicable to models with veneer, laminate or whiteboard material as accent tier (B).



**60" Wide Wall-Mount Love Seat Unit with Open Canopy**

Model	Location	COM Requirement
6563	A	Canopy = 5 <sup>3</sup> / <sub>4</sub> yds.
	B	Upholstered Accent Tier = 2 yds.
	C	Back Panel = 4 yds.
	D	Back Cushion = 1 <sup>3</sup> / <sub>4</sub> yds.
	E	Seat Cushion Top = 1 <sup>3</sup> / <sub>4</sub> yds.
	F	Seat Cushion Bottom = 1 <sup>3</sup> / <sub>4</sub> yds.

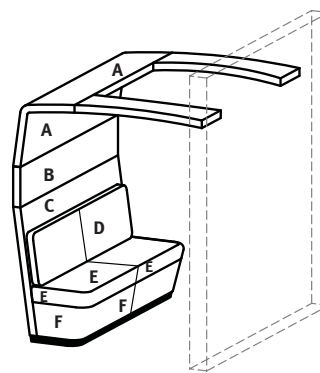
Also applicable to models with veneer, laminate or whiteboard material as accent tier (B).



**72" Wide Wall-Mount Love Seat Unit with Full Canopy**

Model	Location	COM Requirement
6564	A	Canopy = 9 yds.
	B	Upholstered Accent Tier = 2 <sup>1</sup> / <sub>4</sub> yds.
	C	Back Panel = 4 <sup>1</sup> / <sub>2</sub> yds.
	D	Back Cushion = 2 yds.
	E	Seat Cushion Top = 2 yds.
	F	Seat Cushion Bottom = 2 yds.

Also applicable to models with veneer, laminate or whiteboard material as accent tier (B).



**72" Wide Wall-Mount Love Seat Unit with Open Canopy**

Model	Location	COM Requirement
6565	A	Canopy = 6 <sup>1</sup> / <sub>4</sub> yds.
	B	Upholstered Accent Tier = 2 <sup>1</sup> / <sub>4</sub> yds.
	C	Back Panel = 4 <sup>1</sup> / <sub>2</sub> yds.
	D	Back Cushion = 2 yds.
	E	Seat Cushion Top = 2 yds.
	F	Seat Cushion Bottom = 2 yds.

Also applicable to models with veneer, laminate or whiteboard material as accent tier (B).

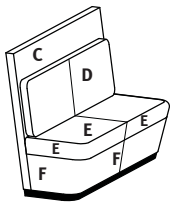




**MULTI-TONE UPHOLSTERY COMBINATIONS:**

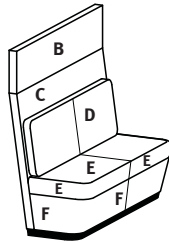
For upholstery fabric, panel fabric and/or vinyl combinations, refer to the pricing below:

- When combining **two** fabrics, add \$125 List per unit.
- When combining **three** fabrics, add \$175 List per unit.
- When combining **four or more** fabrics, add \$250 List per unit.
- Fabric upholstery will be railroaded on back panel only.
- **Canopy not available with polyurethane or vinyl upholstery.**
- For multiple seating models, please contact Customer Service for assistance with exact yardage requirements.
- Note: Yardage amounts are based on fabric which is plain (i.e. non-directional), a full 54" wide and railroaded.



**60" Wide Love Seat**

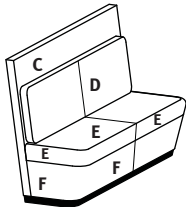
Model	Location	COM Requirement
6502	C	Back Panel = 4 yds.
	D	Back Cushion = 1 <sup>3</sup> / <sub>4</sub> yds.
	E	Seat Cushion Top = 1 <sup>3</sup> / <sub>4</sub> yds.
	F	Seat Cushion Bottom = 1 <sup>3</sup> / <sub>4</sub> yds.



**60" Wide Private Love Seat**

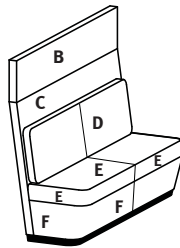
Model	Location	COM Requirement
6503	B	Upholstered Accent Tier = 2 yds.
	C	Back Panel = 4 yds.
	D	Back Cushion = 1 <sup>3</sup> / <sub>4</sub> yds.
	E	Seat Cushion Top = 1 <sup>3</sup> / <sub>4</sub> yds.
	F	Seat Cushion Bottom = 1 <sup>3</sup> / <sub>4</sub> yds.

Also applicable to models with veneer, laminate or whiteboard material as accent tier (B).



**72" Wide Love Seat**

Model	Location	COM Requirement
6504	C	Back Panel = 4 <sup>1</sup> / <sub>2</sub> yds.
	D	Back Cushion = 2 yds.
	E	Seat Cushion Top = 2 yds.
	F	Seat Cushion Bottom = 2 yds.



**72" Wide Private Love Seat**

Model	Location	COM Requirement
6505	B	Upholstered Accent Tier = 2 <sup>1</sup> / <sub>4</sub> yds.
	C	Back Panel = 4 <sup>1</sup> / <sub>2</sub> yds.
	D	Back Cushion = 2 yds.
	E	Seat Cushion Top = 2 yds.
	F	Seat Cushion Bottom = 2 yds.

Also applicable to models with veneer, laminate or whiteboard material as accent tier (B).